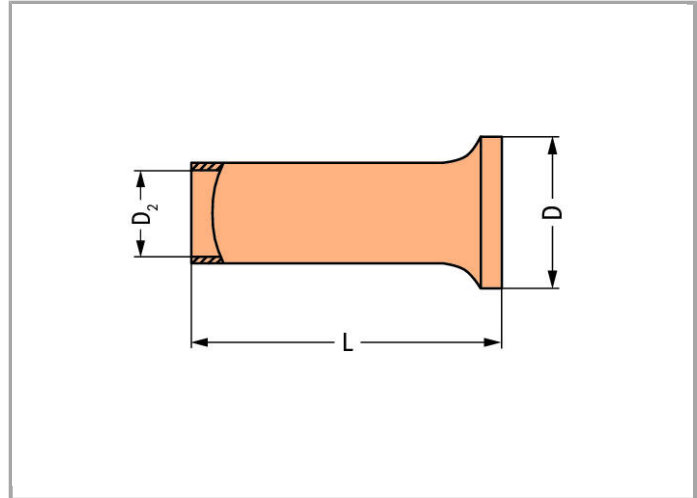


Data sheet | Item number: 216-435

Ferrule; Sleeve for 50 mm² / AWG 1; uninsulated; electro-tin plated; electrolytic copper; gastight crimped; acc. to DIN 46228, Part 1/08.92



www.wago.com/216-435



Data

Technical Data

Main product function	Ferrule
Querschnitt Hülse AWG	1 AWG
Hülse für	50 mm ²



Connection data

Strip length	35 mm / 1.38 Inch
--------------	-------------------

Geometrical Data

Length	35 mm
Diameter	13 mm
Diameter 2	10.3 mm

Material Data

Weight	3 g
--------	-----

Commercial data

Country of origin	DE
GTIN	4050821134213
Customs Tariff No.	85369010000
Product Group	2 (Terminal Block Accessories)

Downloads

Documentation

Bid Text

216-435	Oct 10, 2017	DOC 25.1 kB	Download
---------	--------------	----------------	----------

Subject to changes.