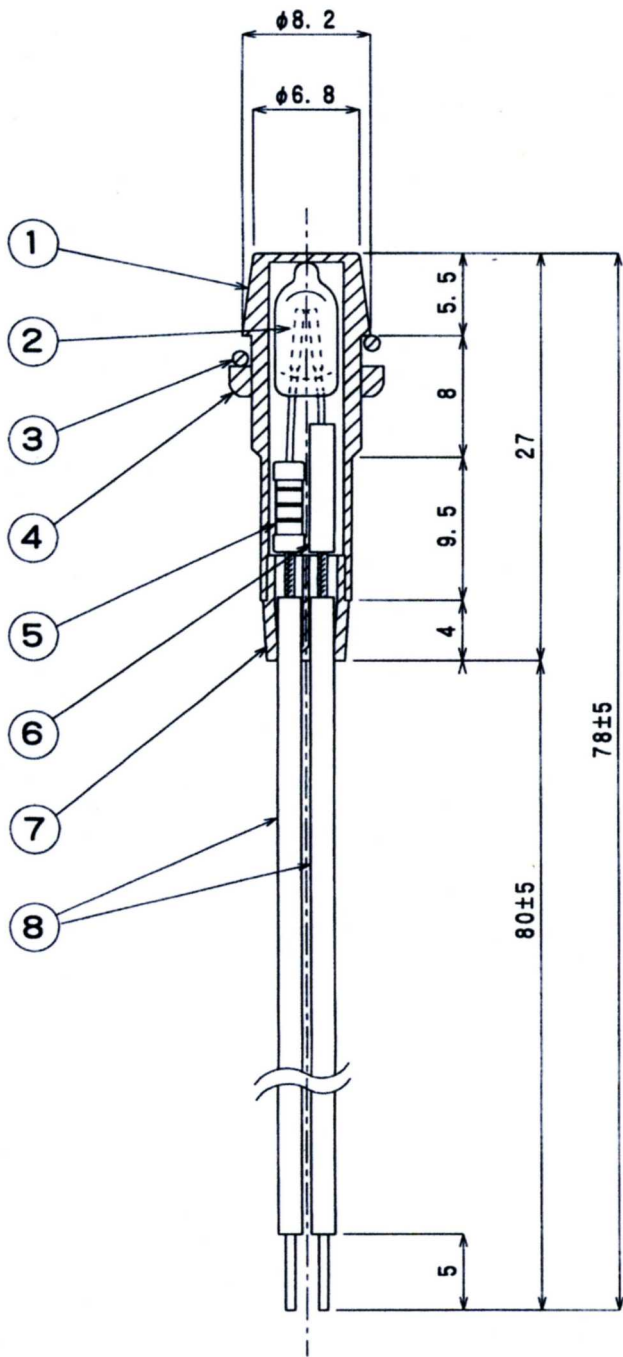
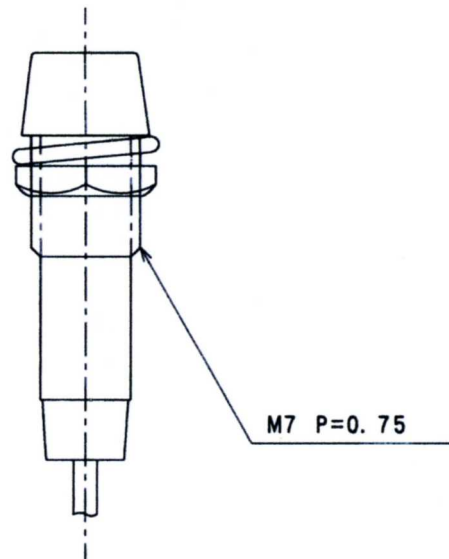


SEDECO MODEL NO. BN-226 220V NEON INDICATOR



Unit: mm



Name of Part	Material or Class	Colour or Finish
① Case	Polycarbonate	B/N 726915: Red
		B/N 726923: Orange
		B/N 726940: Clear
② Neon Bulb	NE-3, 8BH	
③ Spring Washer	SWPA	Ni-3 (Plating)
④ Hex. Nut	BSBM2	Ni-3 (Plating)
⑤ Resistor	1/2W 100kOhm	
⑥ Insulation Tube	UL AH-13	
⑦ Insulation Mould	Polycarbonate	Black
⑧ Cable	UL1007 #24	Black
DATA		
Insulation Resistance	DC 500V	100MOhm or more
Voltage Breakdown	AC 1000V	/ minute
Life	20,000 Hours	
Starting Voltage	65V	