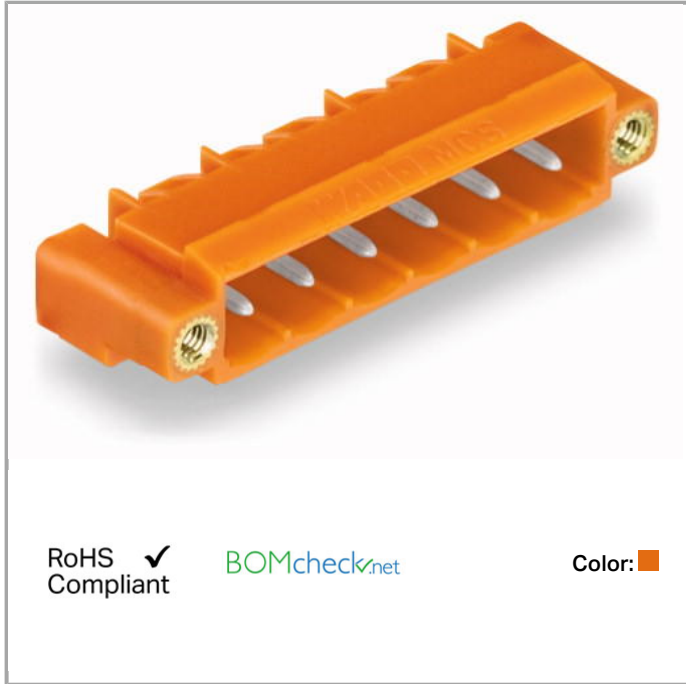


## Data sheet | Item number: 231-572/108-000

THT male header; 1.2 x 1.2 mm solder pin; angled; Threaded flange; Pin spacing 5.08 mm; 12-pole

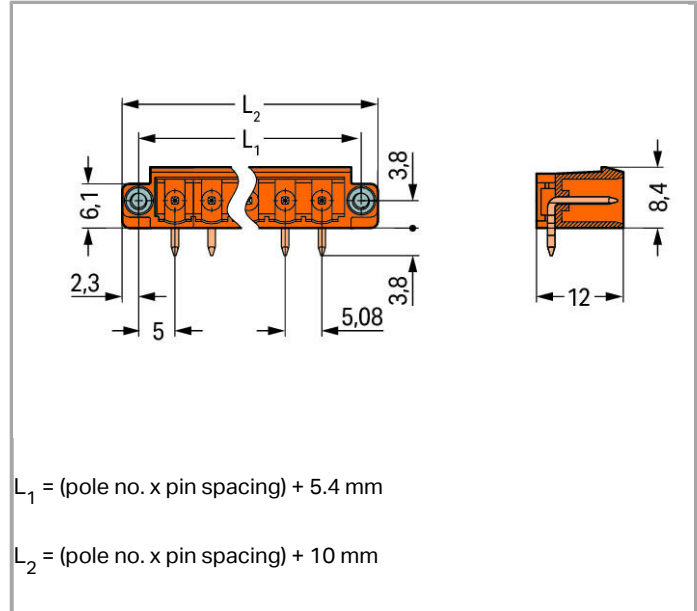


[www.wago.com/231-572/108-000](http://www.wago.com/231-572/108-000)



RoHS Compliant

Color:



### Item description

- Horizontal or vertical PCB mounting via straight or angled solder pins
- 1.2 x 1.2 mm solder pins allow nominal current up to 16 A, enhancing stability of shorter headers
- With coding fingers

Other variants can be requested via the WAGO sales department or, if necessary, configured at <https://configurator.wago.com/>: 3.8 mm pin projection for male headers with straight solder pins, Gold-plated or partially gold-plated contact surfaces, Other pole numbers

### Data

#### Electrical data

#### Ratings per IEC/EN 60664-1

|                                 |       |
|---------------------------------|-------|
| Rated voltage (III / 3)         | 250 V |
| Rated impulse voltage (III / 3) | 4 kV  |
| Rated voltage (III / 2)         | 320 V |
| Rated impulse voltage (III / 2) | 4 kV  |
| Rated voltage (II / 2)          | 630 V |
| Rated impulse voltage (II / 2)  | 4 kV  |
| Rated current                   | 16 A  |



Legend (ratings)

(III / 2) ≙ Overvoltage category III / Pollution degree 2

### Approvals per UL 1059

|                                |       |
|--------------------------------|-------|
| Rated voltage UL (Use Group B) | 300 V |
| Rated current UL (Use Group B) | 15 A  |
| Rated voltage UL (Use Group D) | 300 V |
| Rated current UL (Use Group D) | 10 A  |

### Approvals per CSA

|                                 |       |
|---------------------------------|-------|
| Rated voltage CSA (Use Group B) | 300 V |
| Rated current CSA (Use Group B) | 15 A  |
| Rated voltage CSA (Use Group D) | 300 V |
| Rated current CSA (Use Group D) | 10 A  |

### Connection data

|                            |    |
|----------------------------|----|
| No. of poles               | 12 |
| Total number of potentials | 12 |
| Number of levels           | 1  |

### Geometrical Data

|                                   |                          |
|-----------------------------------|--------------------------|
| Pin spacing                       | 5.08 mm (0.2 inch)       |
| Width                             | 70.96 mm / 2.794 inch    |
| Height                            | 12.2 mm / 0.48 inch      |
| Height from the surface           | 8.4 mm / 0.331 inch      |
| Depth                             | 12 mm / 0.472 inch       |
| Solder pin length                 | 3.8 mm                   |
| Solder pin dimensions             | 1.2 x 1.2 mm             |
| Drilled hole diameter (tolerance) | 1.7 <sup>(+0.1)</sup> mm |

### Plug connection

|                                    |                     |
|------------------------------------|---------------------|
| Contact type (pluggable connector) | Male connector/plug |
| Connector connection type          | for PCBs            |
| Mismating protection               | No                  |
| Mating direction to the PCB        | 0°                  |
| Locking of plug-in connection      | Threaded flange     |

### PCB contact

|                        |   |
|------------------------|---|
| PCB contact            | THT                                     |
| Solder pin arrangement | over the entire male connector, in line |

|                                     |   |
|-------------------------------------|---|
| Number of solder pins per potential | 1 |
|-------------------------------------|---|

## Material Data

|                             |                           |
|-----------------------------|---------------------------|
| Color                       | orange                    |
| Material group              | I                         |
| Insulating material         | Polyamide 66 (PA 66)      |
| Flammability class per UL94 | V0                        |
| Contact material            | Electrolytic copper (Ecu) |
| Contact plating             | tin-plated                |
| Fire load                   | 0.079 MJ                  |
| Weight                      | 5.27 g                    |

## Environmental Requirements


|                         |                 |
|-------------------------|-----------------|
| Limit temperature range | -60 ... +100 °C |
|-------------------------|-----------------|

## Commercial data

|                    |                        |
|--------------------|------------------------|
| Country of origin  | DE                     |
| GTIN               | 4045454845476          |
| Customs Tariff No. | 85366990990            |
| Product Group      | 3 (Multi Conn. System) |

## Approvals / Certificates

### Country specific Approvals

| Logo   | Approval                                     | Certificate name |
|--|--|------------------|
|  | <b>CB</b><br>DEKRA Certification B.V.        | NL-39756         |
|  | <b>KEMA/KEUR</b><br>DEKRA Certification B.V. | 2190761.01       |

### UL-Approvals

| Logo   | Approval                                    | Certificate name |
|--|---|------------------|
|  | <b>UR</b><br>Underwriters Laboratories Inc. | E45172           |

## Compatible products

### Coding

Item no.: 231-129



Coding key; snap-on type

[www.wago.com/231-129](http://www.wago.com/231-129)



Item no.: 231-500

Spacer; for formation of groups

[www.wago.com/231-500](http://www.wago.com/231-500)

#### Marking accessories



Item no.: 210-833

Marking strips; on reel; 6 mm wide; plain; Self-adhesive

[www.wago.com/210-833](http://www.wago.com/210-833)



Item no.: 210-834

Marking strips; on reel; 5 mm wide; plain; Self-adhesive

[www.wago.com/210-834](http://www.wago.com/210-834)

#### Downloads

##### smartDATA

##### PCB libraries

|  |                      |               |          |
|--|----------------------|---------------|----------|
| EAGLE Library for WAGO Pluggable PCB Connectors (MULTI CONNECTION SYSTEM)<br>Compatible with EAGLE PCB Design Software Version 6.x or higher | 2.1<br>Nov 17, 2017  | ZIP<br>6.2 MB | Download |
| TARGET Library for WAGO Pluggable PCB Connectors (Multi-Connection System)<br>Compatible with TARGET PCB Design Software Version 17.x        | 1.1.0<br>Oct 6, 2014 | ZIP<br>7.4 MB | Download |
| DesignSpark Library for WAGO Pluggable PCB Connectors (MULTI CONNECTION SYSTEM)<br>Compatible with DesignSpark PCB Version 4.x or higher     | 2.1<br>Oct 6, 2014   | ZIP<br>6.1 MB | Download |

##### CAD data

|                             |     |          |
|-----------------------------|-----|----------|
| 3D Download 231-572/108-000 | URL | Download |
|-----------------------------|-----|----------|

Subject to changes.