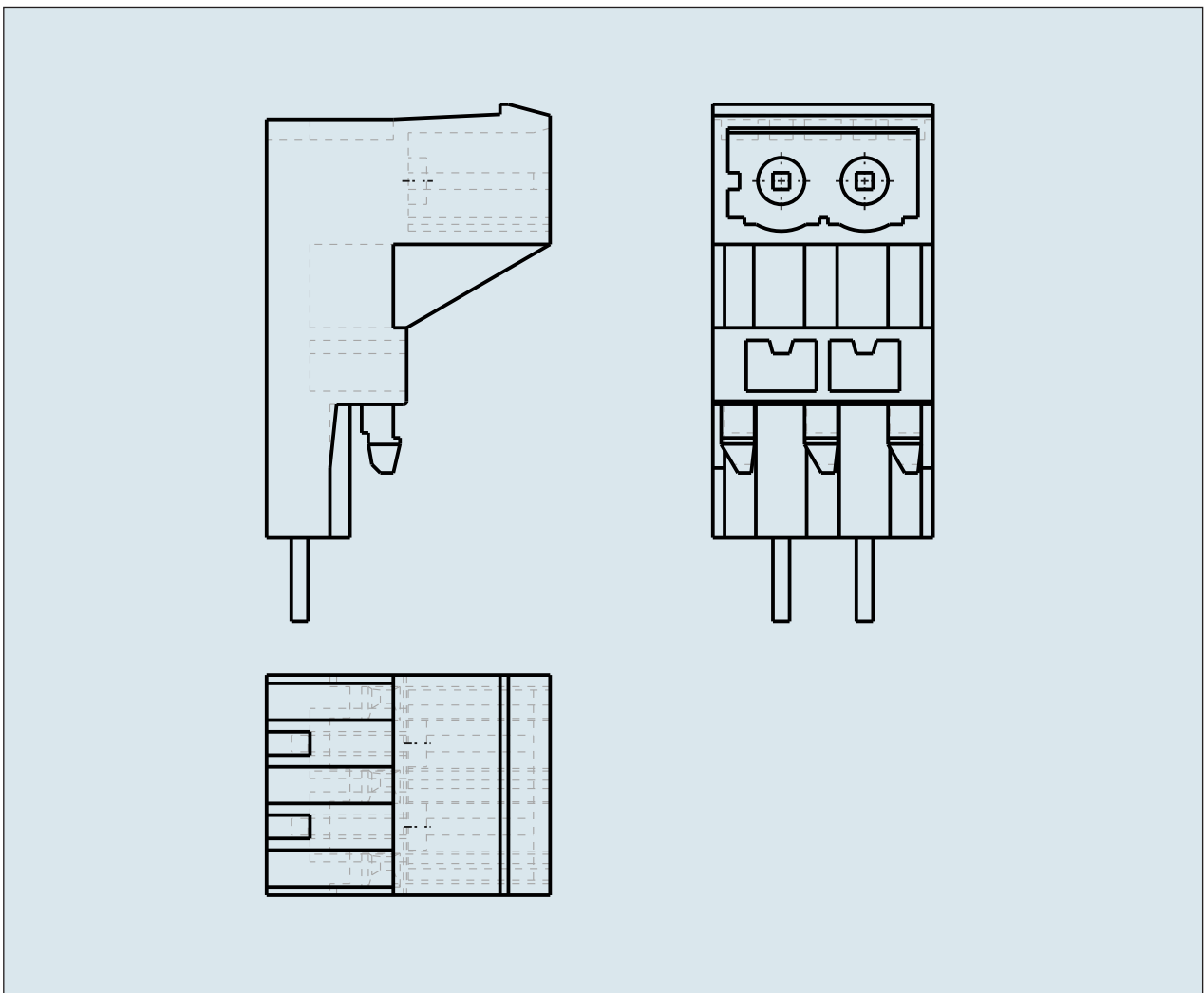
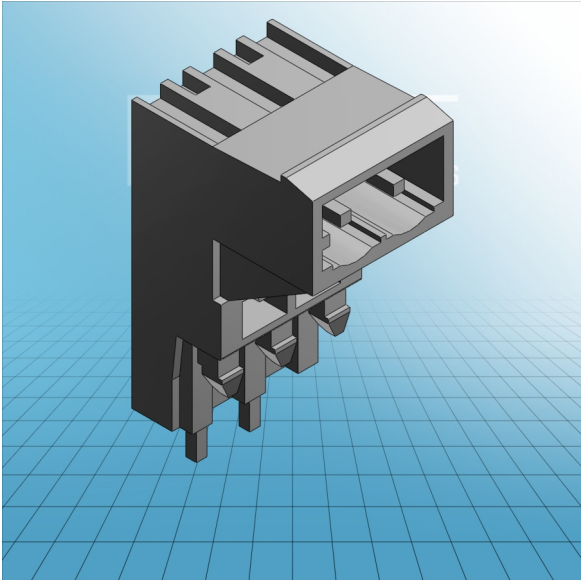


**HEADERS FOR DOUBLE DECK
ASSEMBLY RIGHT ANGLE SOLDER
PIN, 1 X 1 MM / 0.039 X 0.039 IN PIN
SPACING 5 MM / 0.197 IN**



**HEADERS FOR DOUBLE DECK
ASSEMBLY RIGHT ANGLE SOLDER
PIN, 1 X 1 MM / 0.039 X 0.039 IN PIN
SPACING 5 MM / 0.197 IN
232-332 TO 232-346**

ITEM-NO. (ITEM-NO.)	232-332
Measured voltage (Measured voltage / V)	320
Measured shock voltage (Measured shock voltage / kV)	4
Pollution degree (Pollution degree)	2
Current intensity (Current intensity / A)	12
RM (PIN SPACING / mm)	5
P (NO. OF POLES)	2
Height (Height / mm)	26
Width (Width / mm)	13.2
Depth (Depth / mm)	17
COLOR (COLOR)	grau
WEIGHT (WEIGHT / g)	2.618
Comment (Comment)	L = (No. of poles x Pin Spacing) + 3,2 mm
Dimensions (Dimensions)	1,4 +0,1 mm