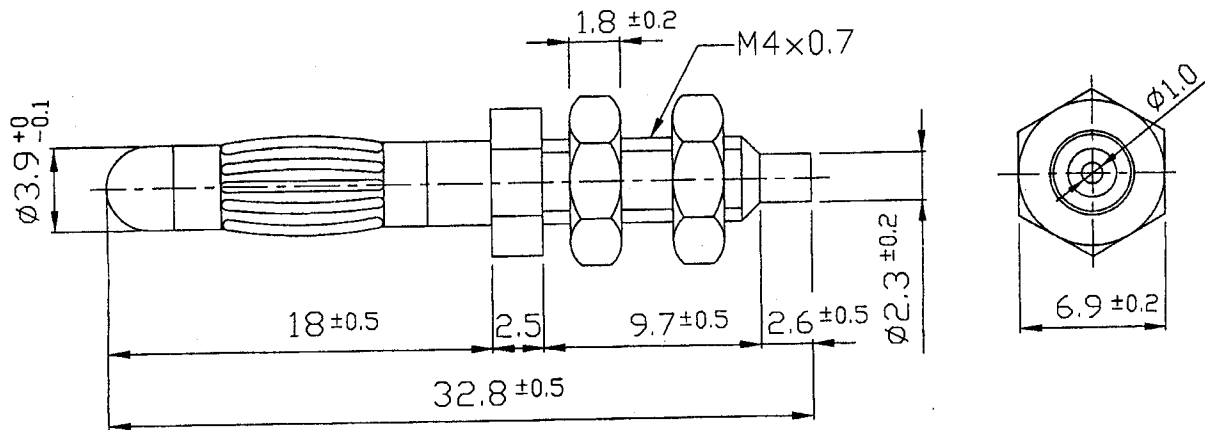


Rating

30A



△		Date	Name	Descriptions			
Drawing	Check	Approval	SCI No.			Model Name	
陳麗華	<i>[Signature]</i>	<i>[Signature]</i>	Customer No.			Model No.	R8-B2H
08/16/04	8/16/04	<i>[Signature]</i>	Unit	mm	SHIN CHIN INDUSTRIAL CO., LTD.		