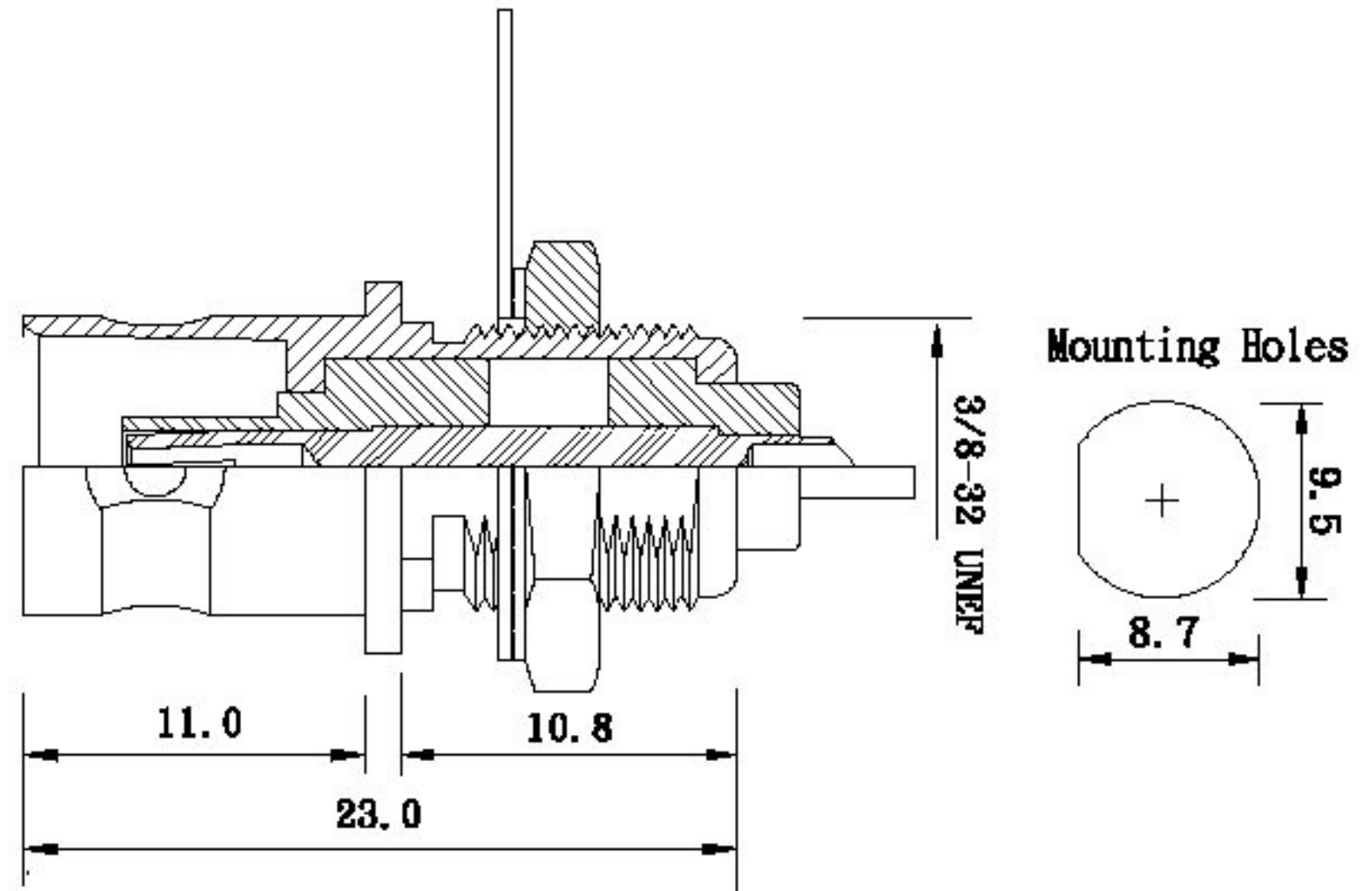


REVISIONS	
NO	DESCRIPTION/DATE



Impedance	75Ω
Frequency range	0 to 4GHz
Voltage rating	500 volts peak
Dielectric withstanding voltage	1500 volts rms
VSWR	M39012 straight connectors: 1.3 max 0-4GHz M39012 right angle: 1.35 max 0-4GHz
Other (MIL-C-39012 Cable Connectors)	Contact resistance: center contact 1.5 milliohm outer contact 0.2 milliohm Insertion loss: 0.2db max at 3.0GHz Insulation resistance: 5000 megohms(min)

6	Lug	Steel	Nickel
5	Lock Washer	Steel	Nickel
4	Nut	Zinc	Nickel
3	Insulator	Teflon	White
2	Contact	Brass	Gold
1	Body	Brass	Nickel
NO	Description	Material	Finish

<p align="center">CUSTOMER OUTLINE DRAWING</p> <p align="center">Unless Otherwise Specified Tolerances Dimensions Are In Millimeters And For Customer Reference Only</p> <p align="center">0.5-8\pm0.2 8-30\pm0.4 30-120\pm0.8 120-315\pm1.0</p> <p align="center">RoHS</p>
--

Best No. 730350				
Part: B-014-1-75-TGN				
Title: BNC JACK SOLDER BULKHEAD(L/THREAD) 75Ω T.G.N.				
Date:	Scale:	Unit:	Rev:	
Jun/10/2009	3:1	M/M	A	
RF/Microwave Connectors Professional Manufacture Copy Right Reserved				