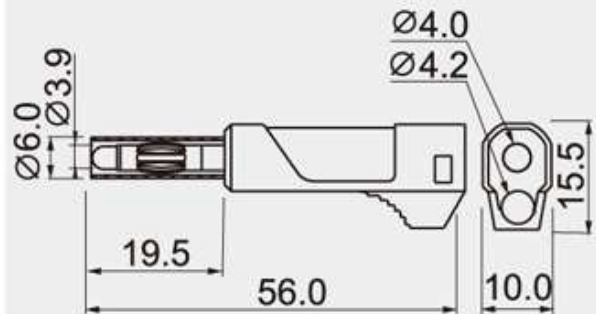


R8-103



Red. Black.
(Blue. Yellow. Green)

30A

DC500V 100M Ω

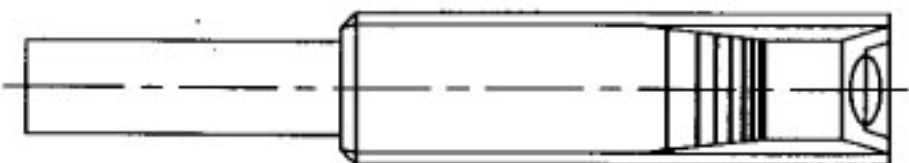
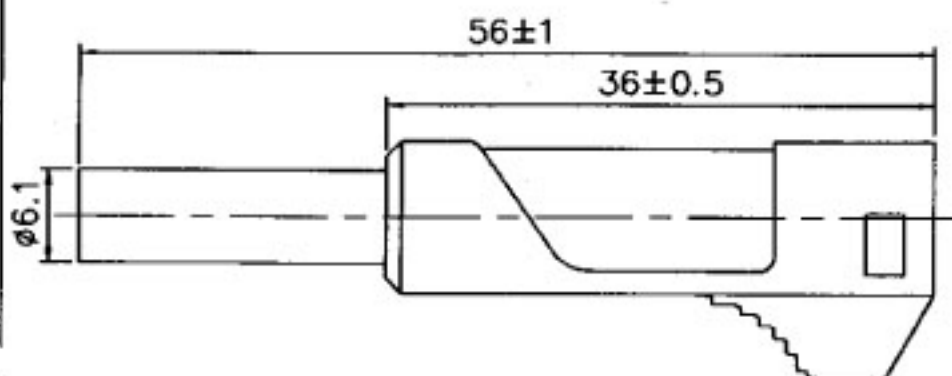
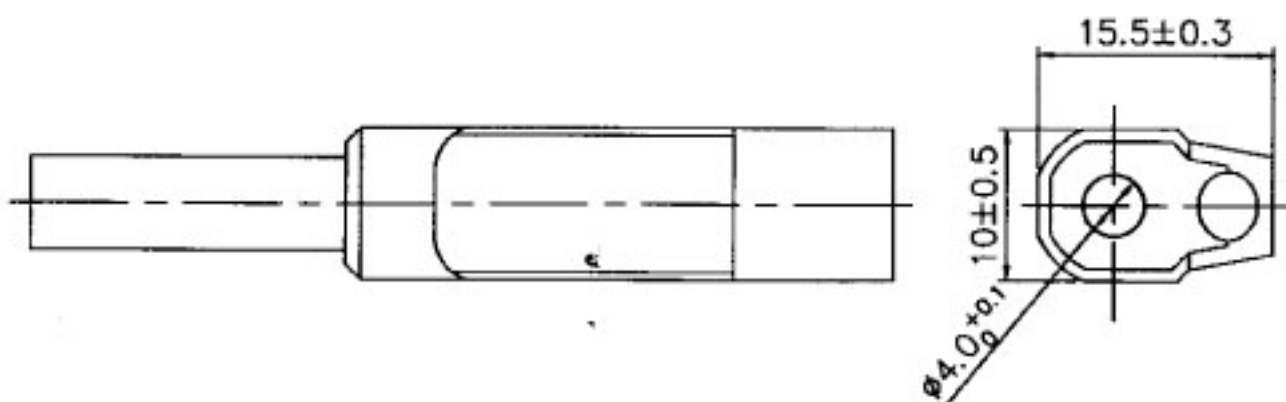
AC 1500V 1 minute

-20°C ~ +80°C

FEATURES:

- Material:
Plug: nickel plated heat treated beryllium copper.
Handle: nylon.
- Fits \varnothing 4mm banana plug or O.D. less than \varnothing 4mm wire by soldering.
- Sliding sleeve for plug.
- Fits \varnothing 4mm standard banana socket.

Rating	10A	Mount Hole	Circuit Structure
Contact R			
Insulation R	DC 500V 100M ohm Min		
Dielectric Strength	AC 1500V 1 minute		
Circuit			



UNIT: MM

Spec-No.	R8-103		No.	Note	Date	Name
Date						
Drawing	Check	Approval				
黄 08.5.24 俊仁		仲野 08.5.24 某地				