


Product information

RKMF 3/0.5 M - RKMF 3/0,5 M

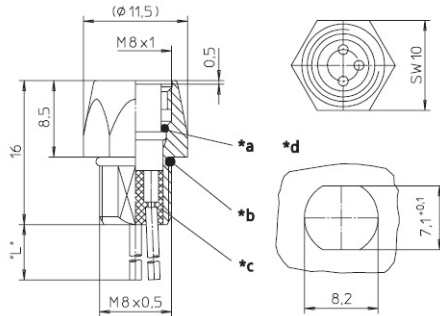
Industrial Connecting Solutions: Circular Connectors: M8 - M12 Connectors: M8 Connectors: M8 Receptacle Connectors: for front mounting: female connector: RKMF 3/0.5 M

<http://www.e-catalog.beldensolutions.com/link/57078-24228-256281-256292-256303-250047-250049-250201-250241/en/conf/ui/state>

Name	RKMF 3/0.5 M
	
	Receptacle connector, M8 female connector for front mounting, assembled stranded wire, solder contacts potted with epoxy, chassis side thread M8 x 0.5 (panel nut RSKF 8), 3 poles, 0.5 meters
Delivery informations	
Availability	available
Product description	
Type	RKMF 3/0,5 M
Order No.	11291
Description	Receptacle connector, M8 female connector for front mounting, assembled stranded wire, solder contacts potted with epoxy, chassis side thread M8 x 0.5 (panel nut RSKF 8), 3 poles, 0.5 meters
Note	The application of these products in harsh environments should always be checked before use.
Number of contacts	3
Color of housing	chromium
Product characteristics	Oil resistance
Classification	
Belden brand	Lumberg-Automation
Mechanical data	
Type of plug-in contact	Female connector
Design of housing	straight
Thread	M8
Design of electrical connection	stranded wire
LED display present	✘
Environmental conditions	
Environmental temperature	-25 °C ... 80 °C
Degree of protection (IP), mounted	IP67
Pollution degree	3
Materials	
Housing material / Molded body	CuZn, nickel-plated
Contact bearer material	TPU, self-extinguishing
Contact material	CuZn
Contact material - Surface refinement	pre-nickeled and 0.8 microns gold-plated
Sealing material	FKM
Electrical data	
Contact resistance	≤ 5 mΩ
Rated current I _n	4 A at 40°C
Nominal voltage	60 V
Rated voltage	63 V
Test voltage	1.5 kV eff./60 s
Insulation resistance	> 1 GΩ
Approvals	
Approvals	UL

Picture

Drawing



- *a O-Ring
O-ring
- *b O-Ring lose beigestellt
O-ring enclosed separately
- *c Leiteranschlussbereich vergossen
solder contacts potted with epoxy
- *d Einbauöffnung
cut out
- "L" 0,5 m

3-polig
3 poles



- 1 = braun / brown
- 3 = blau / blue
- 4 = schwarz / black

Belden Deutschland GmbH
 Im Gewerbepark 2
 58579 Schalksmühle
 Germany
 Phone: +49 7127/14-1806
 E-Mail: icos-sales@belden.com

The information published in the websites has been compiled as carefully as possible. It is subject to alteration without notice in technical as well as in price-related/commercial respect. The complete information and data were available on user documentation. Mandatory information can only be obtained by a concrete query.