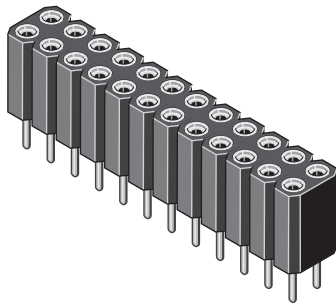


FEMALE HEADER „PRECISION“

ID: 116

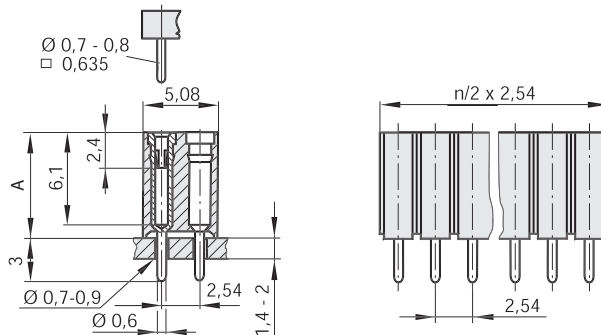
BL 20-XXX

Series 431



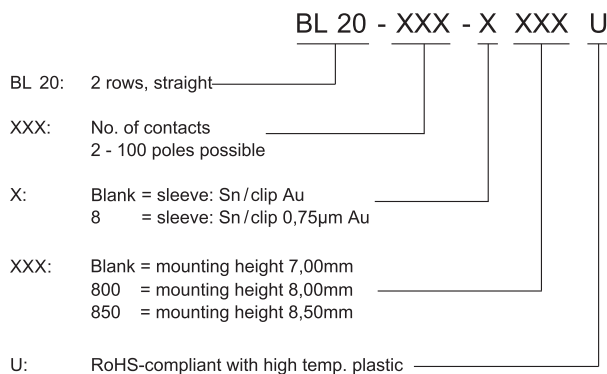
TECHNICAL DATA

Pitch	2,54 mm
Insulating Material	high temp. thermoplast UL94V-0
Contact Material	BeCu
Rated Current	3 Amp.
Rated Voltage	150 V _{RMS} / V _{DC}
Withstanding Voltage	min. 1000 V _{RMS}
Operating Temperature	-55°C to +125°C
Maximum Soldering Temperature	260°C for 10 seconds



Code	A
	7,00
800	8,00
850	8,50

All dimensions in mm.
Other dimensions upon request.



7 | 2,54 mm