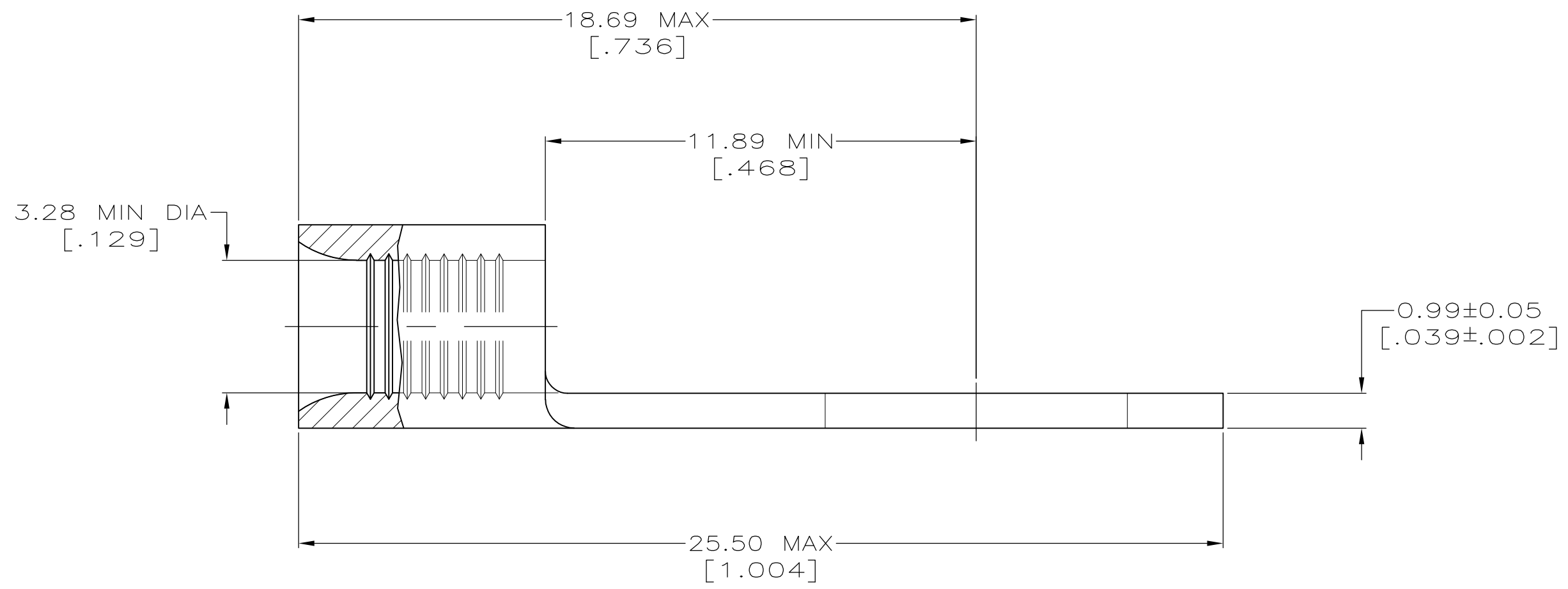
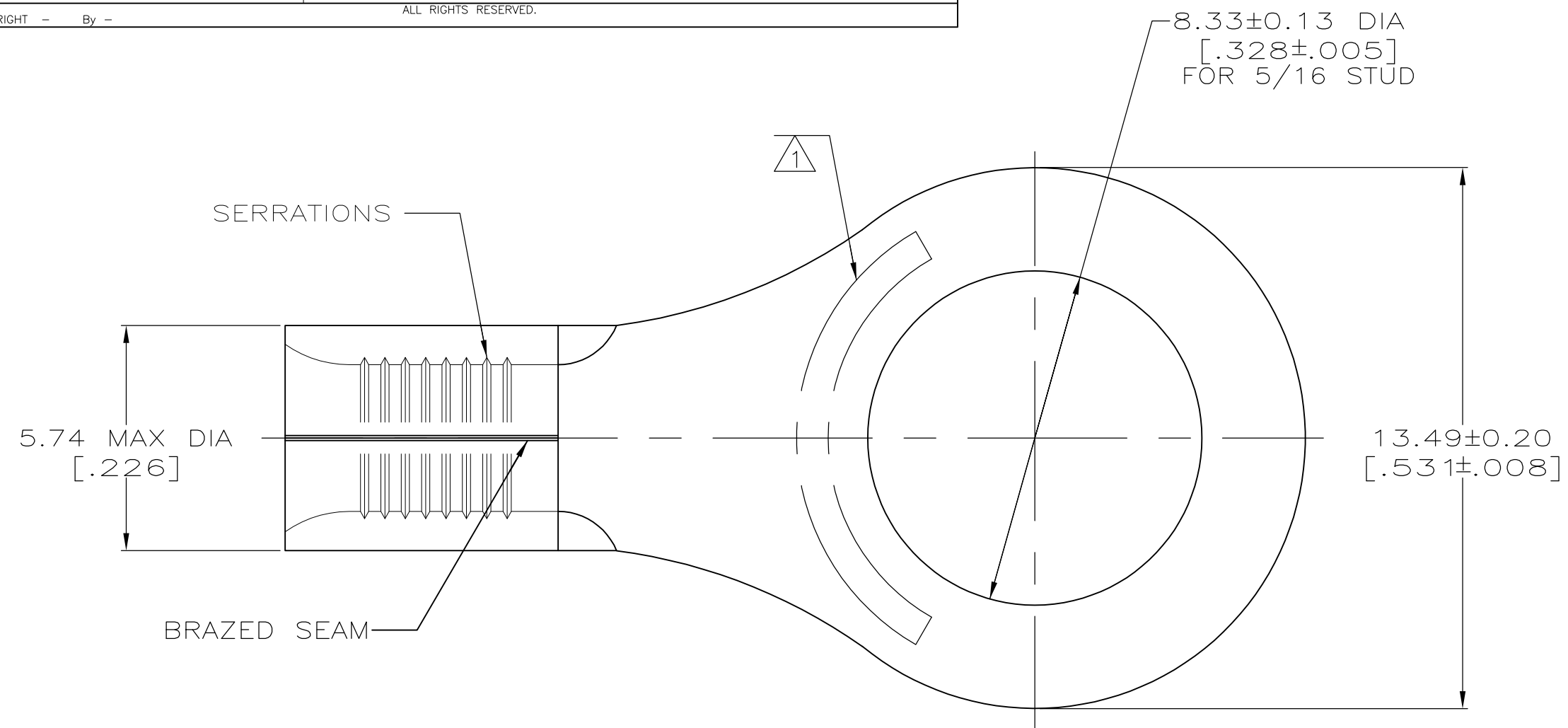


**METRIC**  
 DIMENSIONS LISTED IN mm [ INCHES ]

<b>AMP</b> WIRE RANGE	E13288 Listed
12-10 AWG SOLID OR STRANDED	12-10 AWG STRANDED
LR7189 Certified	MILITARY P/N AND CLASS
12-10 AWG SOLID OR STRANDED	MS20659-106 CLASS 1 & 2 P/N 33459 CLASS 2 P/N 2-33459-6

STAMP AMP 12-10\* APPROX AS SHOWN



----	LOOSE PIECE	UNPLATED, FULLY ANNEALED	33459-4
50	LOOSE PIECE BOX 33459	TIN PLATE 0.00254[.000100] MIN THK PER MIL-T-10727	8-33459-2
OBSOLETE	LOOSE PIECE	UNPLATED	2-33459-9
2500	33459 ON TAPE	TIN PLATE 0.00254[.000100] MIN THK PER MIL-T-10727	2-33459-6
----	LOOSE PIECE	TIN PLATE 0.00254[.000100] MIN THK PER MIL-T-10727	33459
QUANTITY	PACKAGE TYPE	FINISH	PART NO

<b>AMP INCORPORATED CUSTOMER SERVICE SYSTEMS</b>		MAX RECOMMENDED OPERATING TEMPERATURE: 170° C MAX
FOR ADDITIONAL PRODUCT INFORMATION OR COPIES OF DRAWINGS AND TECHNICAL DOCUMENTS	PRODUCT INFORMATION CENTER 1-800-522-6752	VOLTAGE RATING: NOT APPLICABLE
FOR APPLICATION TOOLING INFORMATION	TOOLING ASSISTANCE CENTER 1-800-722-1111	WIRE CROSS SECTIONAL AREA RANGE: 2.62-6.64mm <sup>2</sup> [5,180-13,100] CIR MILS SOLID OR STRANDED
FOR ORDER ENTRY	1-800-526-5142	

THIS DRAWING IS A CONTROLLED DOCUMENT.		DWN TA BRINKMAN 3-17-93	TE Connectivity																			
DIMENSIONS: mm [INCHES]		CHK DA PATTERSON 3-17-93	NAME DE MILLER 3-17-93																			
TOLERANCES UNLESS OTHERWISE SPECIFIED:		APVD DE MILLER 3-17-93	PRODUCT SPEC																			
<table border="1"> <tr><td>0 PLC</td><td>±</td><td>-</td></tr> <tr><td>1 PLC</td><td>±</td><td>-</td></tr> <tr><td>2 PLC</td><td>±</td><td>-</td></tr> <tr><td>3 PLC</td><td>±</td><td>-</td></tr> <tr><td>4 PLC</td><td>±</td><td>-</td></tr> <tr><td>ANGLES</td><td>±</td><td>±</td></tr> </table>		0 PLC	±	-	1 PLC	±	-	2 PLC	±	-	3 PLC	±	-	4 PLC	±	-	ANGLES	±	±	APPLICATION SPEC	TERMINAL, RING TONGUE, SOLISTRAND™	
0 PLC	±	-																				
1 PLC	±	-																				
2 PLC	±	-																				
3 PLC	±	-																				
4 PLC	±	-																				
ANGLES	±	±																				
MATERIAL COPPER PER ASTM B-152 ANNEALED	FINISH SEE TABLE	WEIGHT -	SIZE A2	CAGE CODE 00779																		
CUSTOMER DRAWING		DRAWING NO G-33459	RESTRICTED TO																			
		SCALE 8:1	SHEET 1 OF 1	REV M1																		

**Ring Tongue Terminals** (Continued)

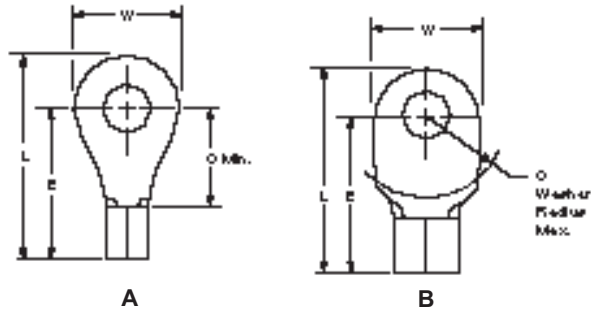
**Wire Size Range**

**AWG 16 to 10,  
CMA 2,050 to 13,100  
[1.04 to 6.64 mm<sup>2</sup>]**

**Material**

**Terminal Body** — Copper per  
ASTM B-152

**Plating** — Tin per MIL-T-10727



Wire Size Circular Mills [mm <sup>2</sup> ]	Stud Size	Style	Dimensions				Material Thickness Max.	Wire Barrel I.D. Min.		Part Numbers	
			L Max.	E Max.	C	W		Solistrand	Budget	Solistrand	Budget
16-14 2,050-5,180 [1.04-2.62]	1/4 M6	A	.855	.618	.437	.469	.033	.085	.089	34124*	31164
			21.72	15.70	11.10	11.91	0.84	2.16	2.26	2-34124-1	
	5/16 M8	A	.855	.618	.437	.469	.033	.085	.089	34125*	31165
			21.72	15.70	11.10	11.91	0.84	2.16	2.26	2-34125-6	
	3/8	A	.995	.727	.546	.531	.033	.085	.089	34126*	31499
			25.27	18.47	13.87	13.49	0.84	2.16	2.26	2-34126-2	
1/2 M12	A	1.070	.711	.530	.713	.033	—	.089	—	328971	
		27.18	18.06	13.46	18.11	0.84	—	2.26	—		
14-12 3,260-8,230 [1.65-4.17]	8 M4	B	.685	.526	.250	.312	.042	.098	—	321827	—
			17.40	13.36	6.35	7.92	1.07	2.49	—	34484	—
	10	B	.739	.526	.250	.421	.042	.098	—	1-34484-0	—
			18.77	13.36	6.35	10.69	1.07	2.49	—	321828	—
	1/4 M6	B	.685	.526	.250	.312	.042	.098	—	1-321828-0	—
			17.40	13.36	6.35	7.92	1.07	2.49	—	34487	—
3/8	B	.739	.526	.250	.421	.042	.098	—	34486	—	
		18.77	13.36	6.35	10.69	1.07	2.49	—			
12-10 5,180-13,100 [2.62-6.64]	4	A	.630	.487	.219	.281	.042	.129	.134	322447	34891
			16.00	12.37	5.56	7.14	1.07	3.28	3.40	35476*	34892
	6 M3.5	A	.630	.487	.219	.281	.042	.129	.134	2-35476-1	
			16.00	12.37	5.56	7.14	1.07	3.28	3.40	324911	324910
	A	.729	.570	.302	.312	.042	.129	.134	324911	324910	
		18.52	14.48	7.67	7.92	1.07	3.28	3.40	33456	31112	
	A	.765	.575	.302	.375	.042	.129	.134	2-33456-1		
		19.43	14.61	7.67	9.53	1.07	3.28	3.40	322454*	34404*	
	8 M4	A	.708	.549	.281	.312	.042	.129	.134	32994*	31113
			17.98	13.94	7.14	7.92	1.07	3.28	3.40	2-32994-1	
	A	.765	.575	.302	.375	.042	.129	.134	32994*	31113	
		19.43	14.61	7.67	9.53	1.07	3.28	3.40	322455	32882	
	A	.723	.549	.281	.343	.042	.129	.134	2-322455-1		
		18.36	13.94	7.14	8.71	1.07	3.28	3.40	33457*	31114*	
	A	.765	.575	.302	.375	.042	.129	.134	2-33457-2		
		19.43	14.61	7.67	9.53	1.07	3.28	3.40	31805	321829	
	10	A	.808	.618	.343	.375	.042	.129	.134	35771*	34964
			20.52	15.70	8.71	9.53	1.07	3.28	3.40	2-35771-1	
A	.865	.612	.344	.500	.042	.129	.134	36451	31120		
	21.97	15.54	8.74	12.70	1.07	3.28	3.40	35772*	34965		
A	.865	.612	.344	.500	.042	.129	.134	2-35772-1			
	21.97	15.54	8.74	12.70	1.07	3.28	3.40	33458*	31122*		
1/4 M6	A	1.004	.736	.468	.531	.042	.129	.134	2-33458-3		
		25.50	18.69	11.89	13.49	1.07	3.28	3.40	—	34966	
5/16 M8	A	.865	.612	.344	.500	.042	—	.134	—	34966	
		21.97	15.54	8.74	12.70	1.07	—	3.40	—		
A	1.004	.736	.468	.531	.042	.129	.134	33459*	31123		
	25.50	18.69	11.89	13.49	1.07	3.28	3.40	2-33459-6			

**Note:** Part numbers are shown as loose piece over tape mounted product.

\*Part numbers are available in small quantity packages.