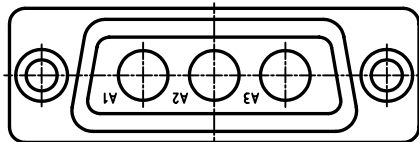
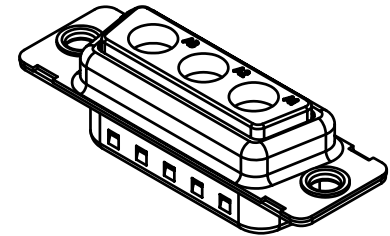
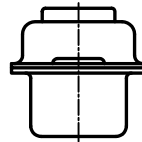
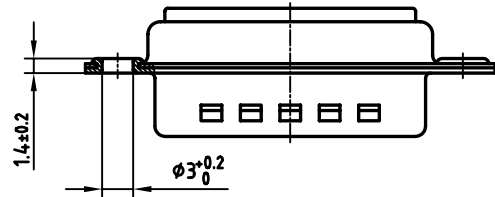
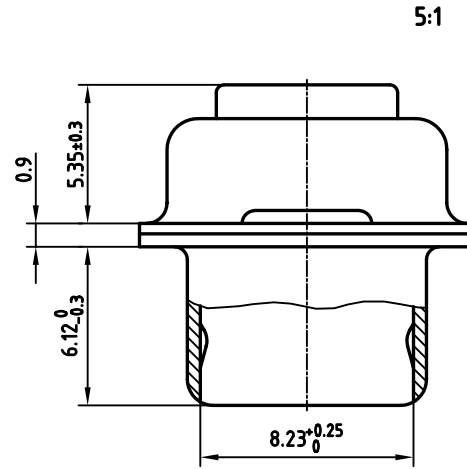
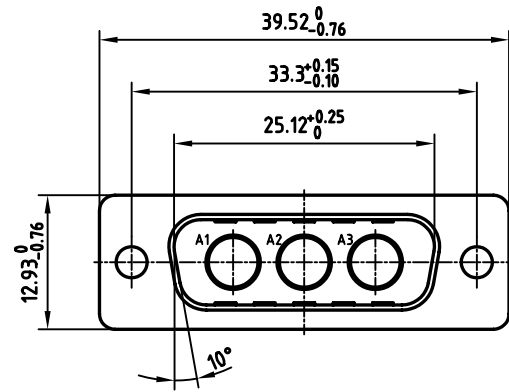


used for: D-SUB COMBINATION



Directive 2002/95/EC  
„RoHS“  
Compliant

- NOTES:**  
 1. METALSHELLS: STEEL; TIN PLATED  
 2. INSULATOR: PBT GF, UL 94 V-0; GREEN

THIS DRAWING MAY NOT BE COPIED OR REPRODUCED IN ANY WAY, AND MAY NOT BE PASSED ON TO A THIRD PARTY WITHOUT WRITTEN PERMISSION. OWNERSHIP AND COPYRIGHT OF CONEC GMBH DO NOT ALTER CAD DRAWING BY HAND

rev.	description	date	name	tolerance	date	name
				2000		
				drawn	02.03.	E.Mickenbecker
				appd.	02.03.	A.Mickenbecker
				norm		
				d-old		

scale:	2:1 (5:1)		
material:	SEE NOTES		
title:	<b>D-SUB COMBINATION MALE</b>		
	3W3P		
	WITHOUT CONTACTS		
dwg no:	CAD/ REL:14	DIN-A	
	13K2119A	3	
		sh:2/2	
product no:	3003W3PXX99A10X		

