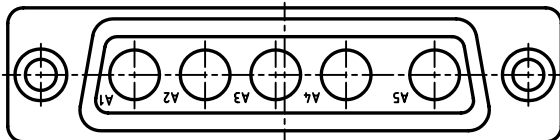
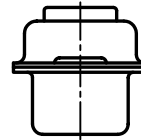
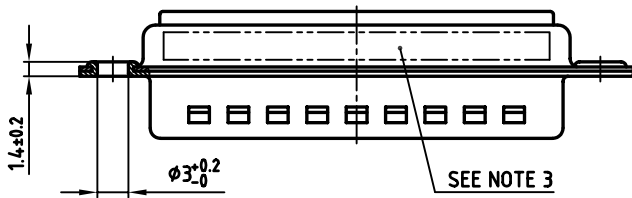
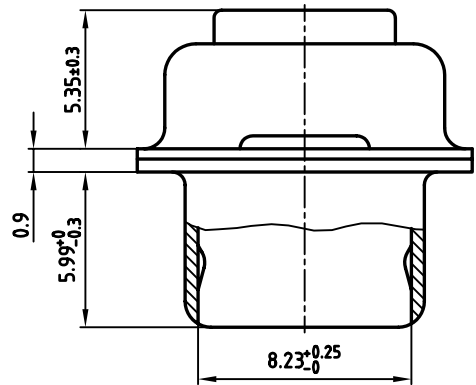
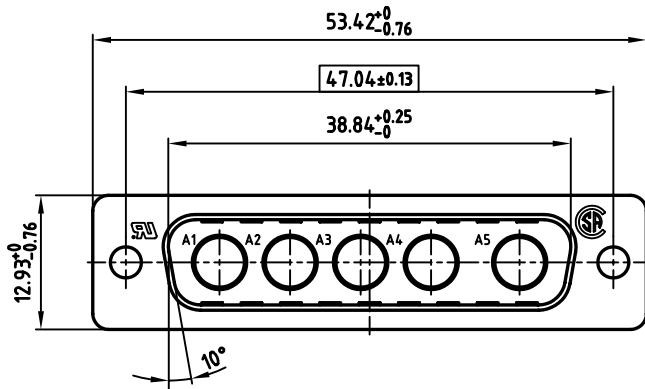


used for: D-SUB COMBINATION

5:1



**NOTES:**

1. METAL SHELLS: STEEL; TIN PLATED
2. INSULATOR: PBT GF, UL 94 V-0; GREEN
3. CONNECTOR IS PART MARKED: PART NO: CONEC Y/WW
4.   = CRITICAL DIMENSION



THIS DRAWING MAY NOT BE COPIED OR REPRODUCED IN ANY WAY, AND MAY NOT BE PASSED ON TO A THIRD PARTY, WITHOUT WRITTEN PERMISSION. OWNERSHIP AND COPYRIGHT OF CONEC GMBH DO NOT ALTER CAD DRAWING BY HAND

|           |             |              |  |   |                      |
|-----------|-------------|--------------|--|---|----------------------|
| tolerance |             |              |  | scale:  | 2:1 ( 5:1)           |
|           |             |              |  | material:   | SEE NOTES            |
| 1998      | date        | name         |  | title:<br><b>D-SUB COMBINATION MALE</b><br>5W5P<br>WITHOUT CONTACTS |                      |
| drawn     | 09.11.      | Barcinski    |  |   |                      |
| appd.     | 09.11.      | Mickenbecker |  |   |                      |
| norm      |             |              |  |   |                      |
| d-old     |             |              |  | dwg no:   | AutoCAD/REL.13 DIN-A |
|           |             |              |  | 13K11K6A<br>sh: 1/1   |                      |
| rev.      | description |              |  | date  | name                 |