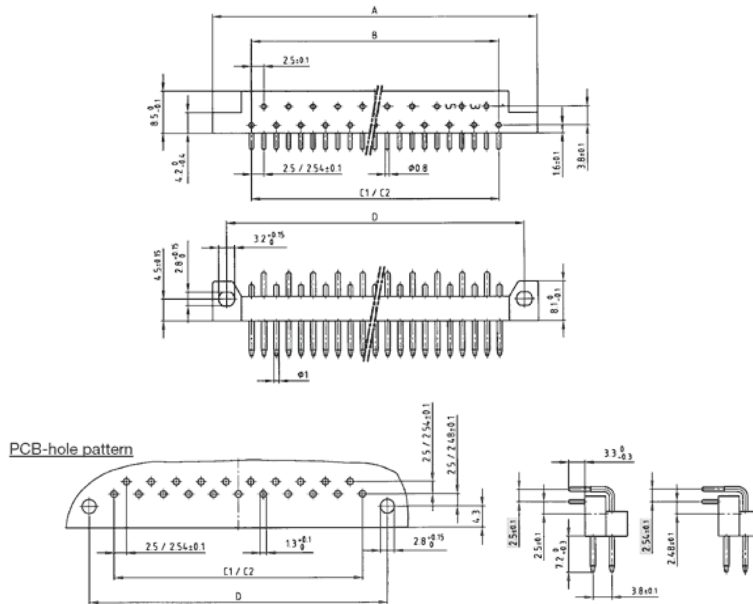


Male connector
with angled solder pins
Contact spacing .098" and .100"

Directive 2002/95/EC
„RoHS“
Compliant



No. of Pos.	A±0.2	B±0.1	C ₁ ±0.1	C ₂ ±0.1	D±0.1
13	45.6	12 x 2,5 = 30	12 x 2,5 = 30	12 x 2,54 = 30,48	40
21	65.6	20 x 2,5 = 50	20 x 2,5 = 50	20 x 2,54 = 50,80	60
31	90.6	30 x 2,5 = 75	30 x 2,5 = 75	30 x 2,54 = 76,20	85

Part Numbers

No. of Pos.	Contact spacing	hard-silver-plated	Quality class 3	Quality class 2	Quality class 1
13	2,5 mm / .098"	101 E 10079 X	101 A 10079 X	101 B 10079 X	101 C 10079 X
13	2,54 mm / .100"	101 E 10089 X	101 A 10089 X	101 B 10089 X	101 C 10089 X
21	2,5 mm / .098"	101 E 10099 X	101 A 10099 X	101 B 10099 X	101 C 10099 X
21	2,54 mm / .100"	101 E 10109 X	101 A 10109 X	101 B 10109 X	101 C 10109 X
31	2,5 mm / .098"	101 E 10119 X	101 A 10119 X	101 B 10119 X	101 C 10119 X
31	2,54 mm / .100"	101 E 10129 X	101 A 10129 X	101 B 10129 X	101 C 10129 X