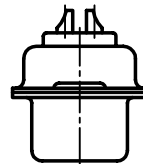
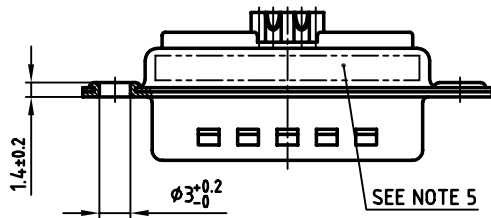
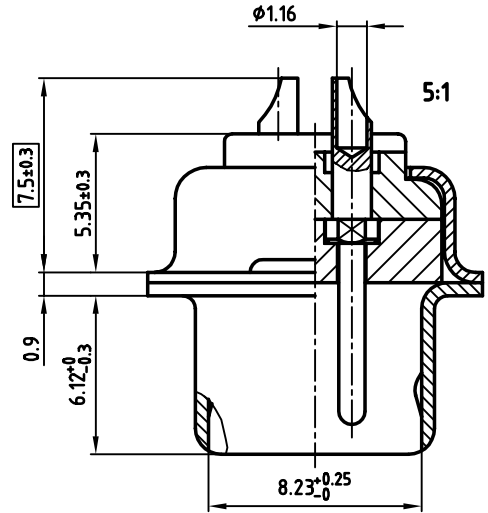
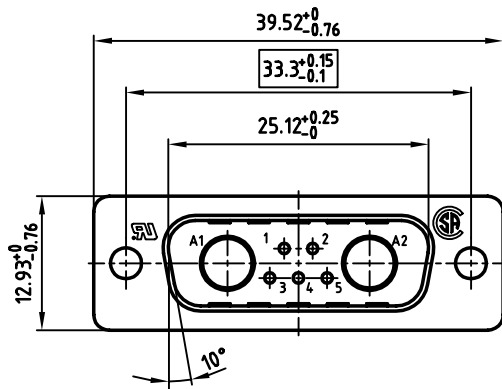


used for: D-SUB COMBINATION



NOTES:

1. METALSHELLS: STEEL; min. 320µ" TIN
2. INSULATORS: PBT GF UL 94 V-0, BLACK
3. SIGNAL CONTACTS: COPPER ALLOY
SOLDER CUP ACCEPTS CABLE AWG 20
4. PLATING: min. 30µ" HARD GOLD OVER min. 50µ" NICKEL
5. CONNECTOR IS PART MARKED: 3007W2PCM99A10X CONEC Y/W/W
6. = CRITICAL DIMENSION

THIS DRAWING MAY NOT BE COPIED OR REPRODUCED IN ANY WAY, AND MAY NOT BE PASSED ON TO A THIRD PARTY, WITHOUT WRITTEN PERMISSION. OWNERSHIP AND COPYRIGHT OF CONEC Gmbh DO NOT ALTER CAD DRAWING BY HAND	tolerance				scale: 2:1 (5:1)
					material: SEE NOTES
	2002	date	name		title: D-SUB COMBINATION MALE 7W2P SOLDER CUP
	drawn	08.05.	Parei		
	appd.	08.05.	E. Mickenbecker		
norm					
			d-old		dwg no: AutoCAD 2000
					DIN-A
					3
					sh: 1/1
rev.	description	date	name		part no: 3007W2PCM99A10X

Directive 2002/95/EC
 „RoHS“
 Compliant

