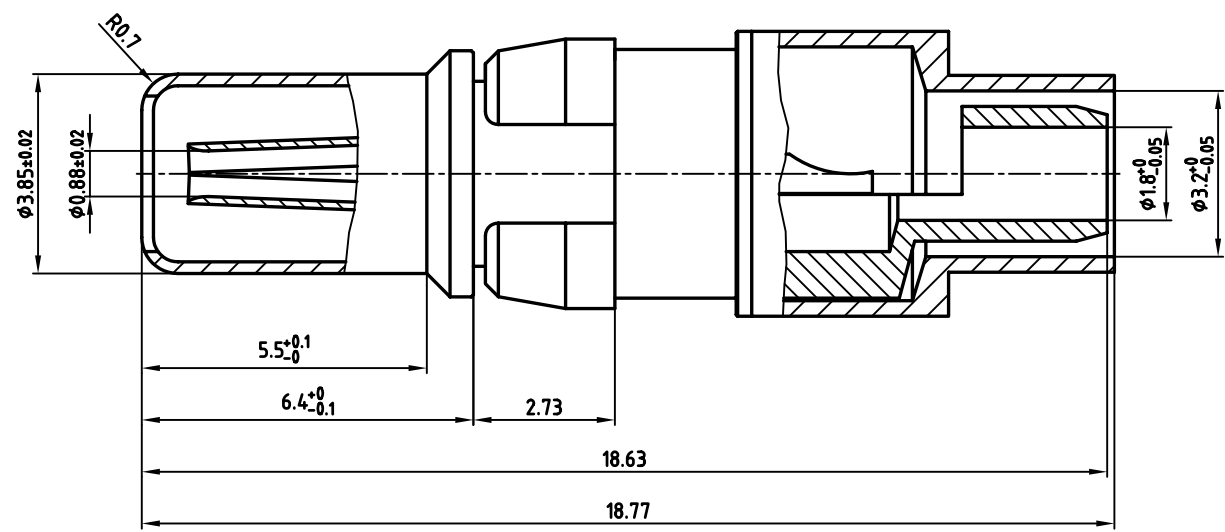


used for: D-SUB COMBINATION



Directive 2002/95/EC
"RoHS"
Compliant

APPROVAL * FREIGABE * DEBLOCAGE * AUTOR/ZACION * APPROVAL

CUSTOMER APPROVAL DATE:

NAME: TITLE:

COMPANY NAME:

APPROVAL * FREIGABE * DEBLOCAGE * AUTOR/ZACION * APPROVAL

THIS DRAWING MAY NOT BE COPIED OR REPRODUCED IN ANY WAY, AND MAY NOT BE PASSED ON TO A THIRD PARTY WITHOUT WRITTEN PERMISSION. OWNERSHIP AND COPYRIGHT OF CONEC GmbH DO NOT ALTER CAD DRAWING BY HAND

rev.	description	date	name
1 x b	Ä 2535	18.07.2006	Lehmen
a	Origin		

tolerance

1999 date name

drawn 03.11. Mickenbecker

appd. 03.11. Barcinski

norm

d-old

CONEC

scale: 10:1

material:

title: (b) COAXIAL CONTACT PLUG 75 OHM

inner conductor for solder termination

outer conductor for solder or crimp termination

dwg no: AutoCAD 2006 DIN-A

13K2IU9A 3

part no: 131J30019X sh: 1/1