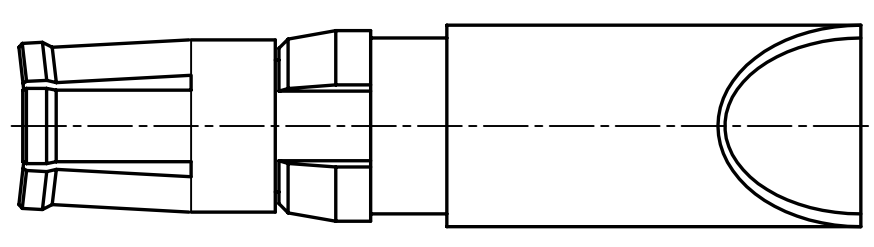
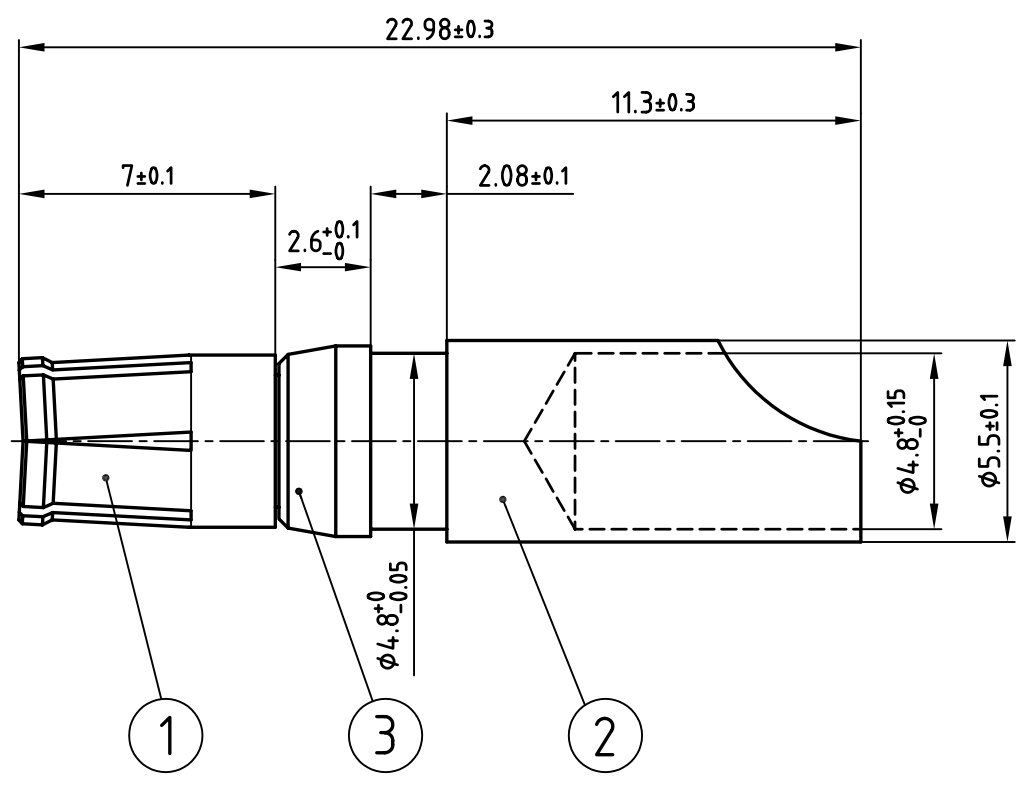


used for: D-SUB COMBINATION



NOTES:

- 1. MATERIAL: COPPER ALLOY
- 2. PLATING:
 ITEM 1: min. 30µ" HARD GOLD OVER min. 50µ" NICKEL
 ITEM 2: min. 8µ" HARD GOLD OVER min. 50µ" NICKEL
 ITEM 3: NICKEL PLATED



THIS DRAWING MAY NOT BE COPIED OR REPRODUCED IN ANY WAY, AND MAY NOT BE PASSED ON TO A THIRD PARTY WITHOUT WRITTEN PERMISSION.
 OWNERSHIP AND COPYRIGHT OF CONEC GmbH
 DO NOT ALTER CAD DRAWING BY HAND

1998	date	name
drawn	23.03.	Barcinski
appd.	23.03.	Mickenbecker
norm		
d-old		

rev.	description	date	name



tolerance	scale: 5:1
	material: SEE NOTES
title: HIGH POWER CONTACT FEMALE SOLDER CUP 40A D-SUB COMBINATION	dwg no: AutoCAD/REL.13
part no: 132C10049X	DIN-A 4 sh: 1/1