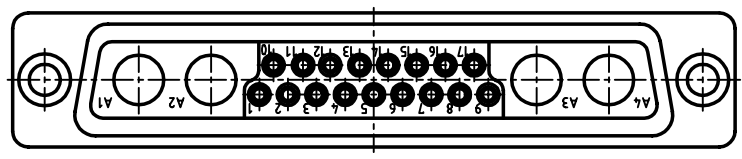
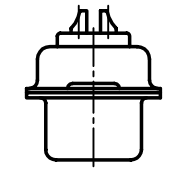
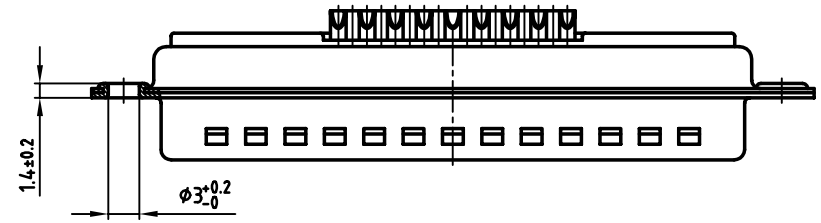
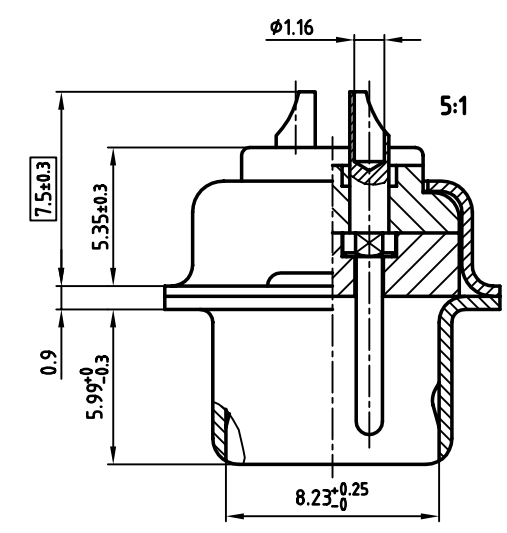
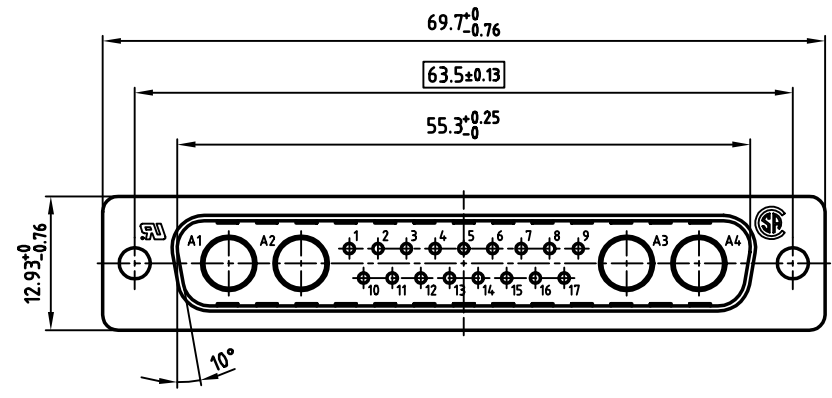


used for: D-SUB COMBINATION



NOTES:

1. METALSHELLS: STEEL; TIN PLATED
2. INSULATORS: PBT GF, UL 94 V-0; GREEN
3. CONTACTS: COPPER ALLOY
4. PLATING: min. 30µ" HARD GOLD OVER min. 50µ" NICKEL
5. = CRITICAL DIMENSION: SPC

Directive 2002/95/EC
"RoHS"
Compliant

THIS DRAWING MAY NOT BE COPIED OR REPRODUCED IN ANY WAY, AND MAY NOT BE PASSED ON TO A THIRD PARTY WITHOUT WRITTEN PERMISSION. OWNERSHIP AND COPYRIGHT OF CONEC GMBH DO NOT ALTER CAD DRAWING BY HAND

NORTEL		tolerance				scale: 2:1 (5:1)	
						material: SEE NOTES	
		1999 date name		D-SUB COMBINATION MALE 21WA4P SOLDER CUP			
		drawn 25.01. Barcinski					
		appd. 25.01. Mickenbecker					
		norm		dwg no: CAD/ REL.13 DIN-A 13K11M2A product no: 321WA4PCM99A10X			
		d-old					
rev.	description	date	name				