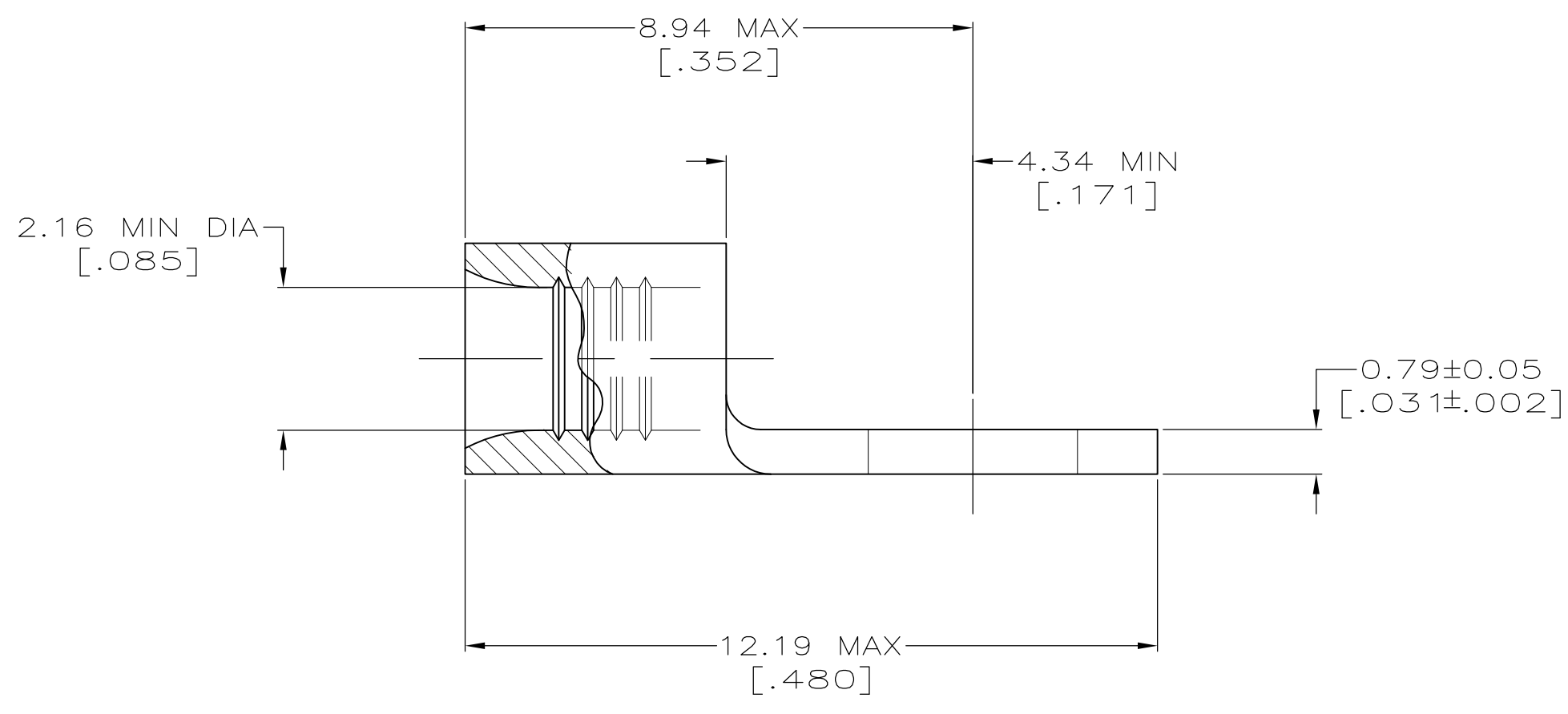


AMP WIRE RANGE	E13288 Listed
16-14 AWG SOLID OR STRANDED	16-14 AWG SOLID OR STRANDED
LR7189 Certified	MILITARY P/N AND CLASS
16-14 AWG SOLID OR STRANDED	NOT APPLICABLE

STAMP AMP 16-14* APPROX AS SHOWN



AMP INCORPORATED CUSTOMER SERVICE SYSTEMS		MAX RECOMMENDED OPERATING TEMPERATURE: 170° C MAX
FOR ADDITIONAL PRODUCT INFORMATION OR COPIES OF DRAWINGS AND TECHNICAL DOCUMENTS	PRODUCT INFORMATION CENTER 1-800-522-6752	VOLTAGE RATING: NOT APPLICABLE
FOR APPLICATION TOOLING INFORMATION	TOOLING ASSISTANCE CENTER 1-800-722-1111	WIRE CROSS SECTIONAL AREA RANGE: 1.04-2.62mm ² [2,050-5,180] CIR MILS SOLID OR STRANDED
FOR ORDER ENTRY	1-800-526-5142	THIS DRAWING IS A CONTROLLED DOCUMENT FOR AMP INCORPORATED. IT IS SUBJECT TO CHANGE AND THE CONTROLLING ENGINEERING ORGANIZATION SHOULD BE CONTACTED FOR THE LATEST REVISION.

100	LOOSE PIECE, BOX	8-34120-1
5000	ON TAPE	2-34120-1
---	LOOSE PIECE	34120
QUANTITY	PACKAGING TYPE	PART NO

THIS DRAWING IS A CONTROLLED DOCUMENT.		DWN TA BRINKMAN 3-17-93	TE Connectivity
DIMENSIONS: MM [INCHES]		CHK DA PATTERSON 3-17-93	
TOLERANCES UNLESS OTHERWISE SPECIFIED:		APVD DE MILLER 3-17-93	NAME TERMINAL, RING TONGUE, SOLISTRAND™
0 PLC ± - 1 PLC ± - 2 PLC ± - 3 PLC ± - 4 PLC ± - ANGLES ± ± -		PRODUCT SPEC APPLICATION SPEC	SIZE A2
MATERIAL COPPER PER ASTM B-152 ANNEALED	FINISH TIN PLATE 0.00254[.00010]MIN THK PER ASTM B-545	WEIGHT -	DRAWING NO 00779
CUSTOMER DRAWING		SCALE 10:1	RESTRICTED TO -
		SHEET 1 OF 1	REV F1

Ring Tongue Terminals (Continued)

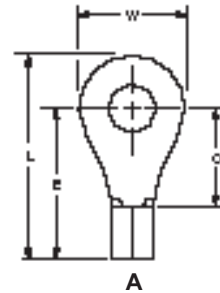
Wire Size Range

**AWG 22 to 14,
CMA 509 to 5,180
[0.26 to 2.62 mm²]**

Material

Terminal Body — Copper per
ASTM B-152

Plating — Tin per MIL-T-10727



Wire Size Circular Mills [mm ²]	Stud Size	Style	Dimensions				Material Thickness Max.	Wire Barrel I.D. Min.		Part Numbers		
			L Max.	E Max.	C Min.	W		Solistrand	Budget	Solistrand	Budget	
22-16 509-3,260 [0.26-1.65]	10	A	.621 15.77	.462 11.73	.281 7.14	.312 7.92	.033 0.84	.061 1.55	.065 1.65	34112* 2-34112-2	30693* 3-30693-7	
		A	.574 14.58	.436 11.07	.250 6.35	.281 7.14	.033 0.84	.061 1.55	.065 1.65	34109* 2-34109-2	31266	
		A	.653 16.59	.478 12.14	.297 7.54	.344 8.74	.033 0.84	.061 1.55	.065 1.65	323087*	32824	
	12	A	.621 15.77	.462 11.73	.281 7.14	.312 7.92	.033 0.84	—	.065 1.65	—	30694 2-30694-1	
		1/4 M6	A	.856 21.74	.618 15.70	.437 11.10	.469 11.91	.033 0.84	.061 1.55	.065 1.65	34113* 2-34113-2	31172
		5/16 M8	A	.856 21.74	.618 15.70	.437 11.10	.469 11.91	.033 0.84	.061 1.55	.065 1.65	34114* 2-34114-2	31173 3-31173-3
	3/8	A	.995 25.27	.727 18.47	.546 13.87	.531 13.49	.033 0.84	—	.065 1.65	—	324124	
		1/2 M12	A	.995 25.27	.727 18.47	.546 13.87	.531 13.49	.033 0.84	.061 1.55	.065 1.65	34115* 2-34115-2	31498
		A	1.070 27.18	.711 18.06	.530 13.46	.713 18.11	.033 0.84	.061 1.55	.065 1.65	329966*	328970	
	16-14 2,050-5,180 [1.04-2.62]	2 M2	A	.480 12.19	.352 8.94	.171 4.34	.250 6.35	.033 0.84	—	.089 2.26	—	321007
			A	.445 11.30	.352 8.94	.171 4.34	.180 4.57	.033 0.84	.085 2.16	.089 2.26	328377	326854
		4	A	.480 12.19	.352 8.94	.171 4.34	.250 6.35	.033 0.84	.085 2.16	.089 2.26	34119* 2-34119-1	32185
A			.636 16.15	.462 11.73	.281 7.14	.343 8.71	.033 0.84	.085 2.16	.089 2.26	34121* 2-34121-1	30695	
6 M3.5		A	.480 12.19	.352 8.94	.171 4.34	.250 6.35	.033 0.84	.085 2.16	.089 2.26	34120* 2-34120-1	32186*	
		A	.590 14.99	.431 10.95	.250 6.35	.312 7.92	.033 0.84	.085 2.16	.089 2.26	321684* 2-321684-1	321683	
8 M4	A	.636 16.15	.462 11.73	.281 7.14	.343 8.71	.033 0.84	.085 2.16	.089 2.26	34122* 2-34122-1	30696*		
	A	.590 14.99	.431 10.95	.250 6.35	.312 7.92	.033 0.84	.085 2.16	.089 2.26	324955* 2-324955-1	322235 1-322235-1		
10	A	.621 15.77	.462 11.73	.281 7.14	.312 7.92	.033 0.84	—	.089 2.26	—	51872-5		
	A	.636 16.15	.462 11.73	.281 7.14	.343 8.71	.033 0.84	.085 2.16	.089 2.26	34123* 2-34123-1	30697*		
	A	.669 16.99	.510 12.95	.250 6.35	.312 7.92	.033 0.84	.085 2.16	.089 2.26	320093 2-320093-1	31049		
12	A	.855 21.72	.618 15.70	.437 11.10	.469 11.91	.033 0.84	—	.089 2.26	—	31163		
14	A	.730 18.54	.493 12.52	.312 7.92	.468 11.89	.033 0.84	—	.089 2.26	—	34896		

Note: Part numbers are shown as loose piece over tape mounted product.

*Part numbers are available in small quantity packages.