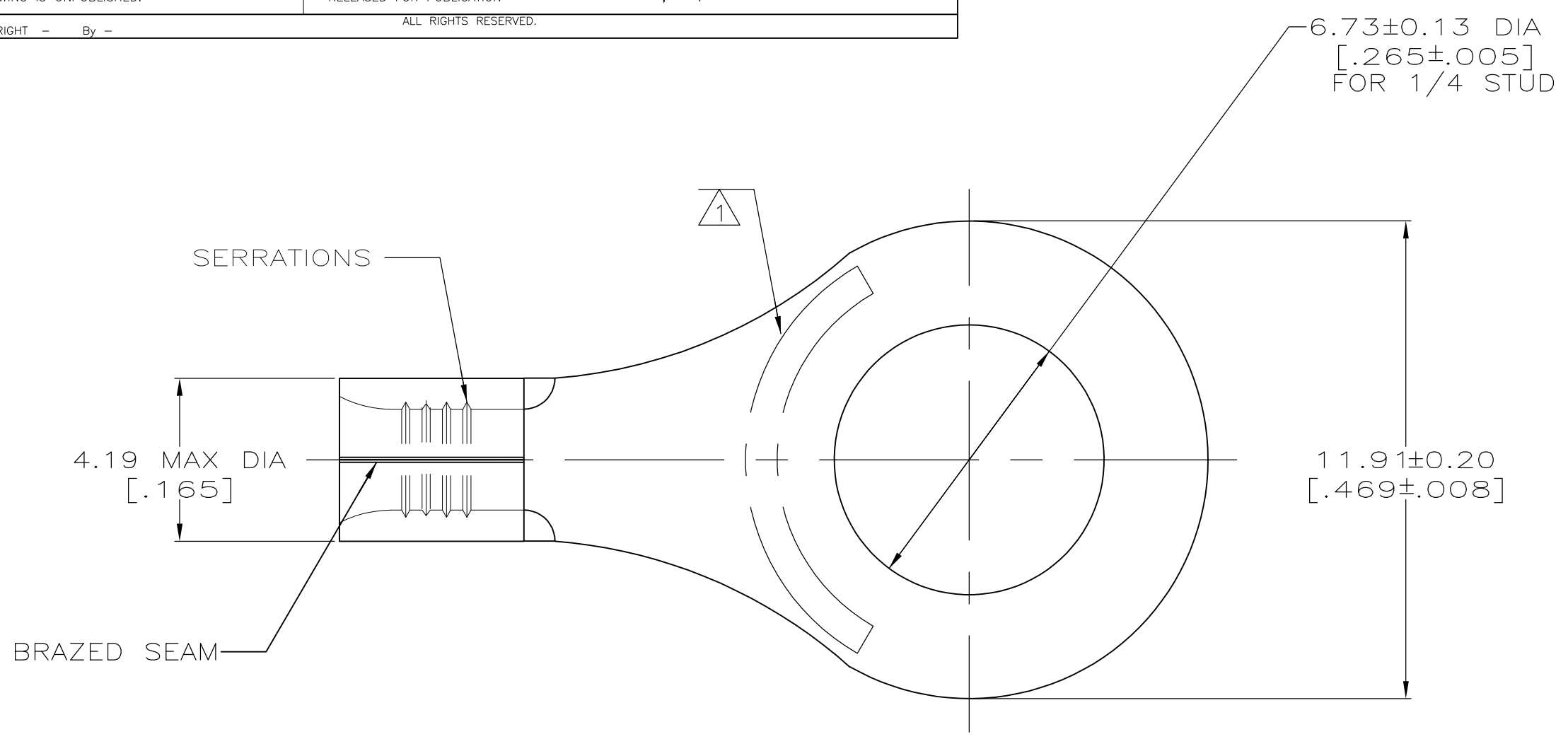
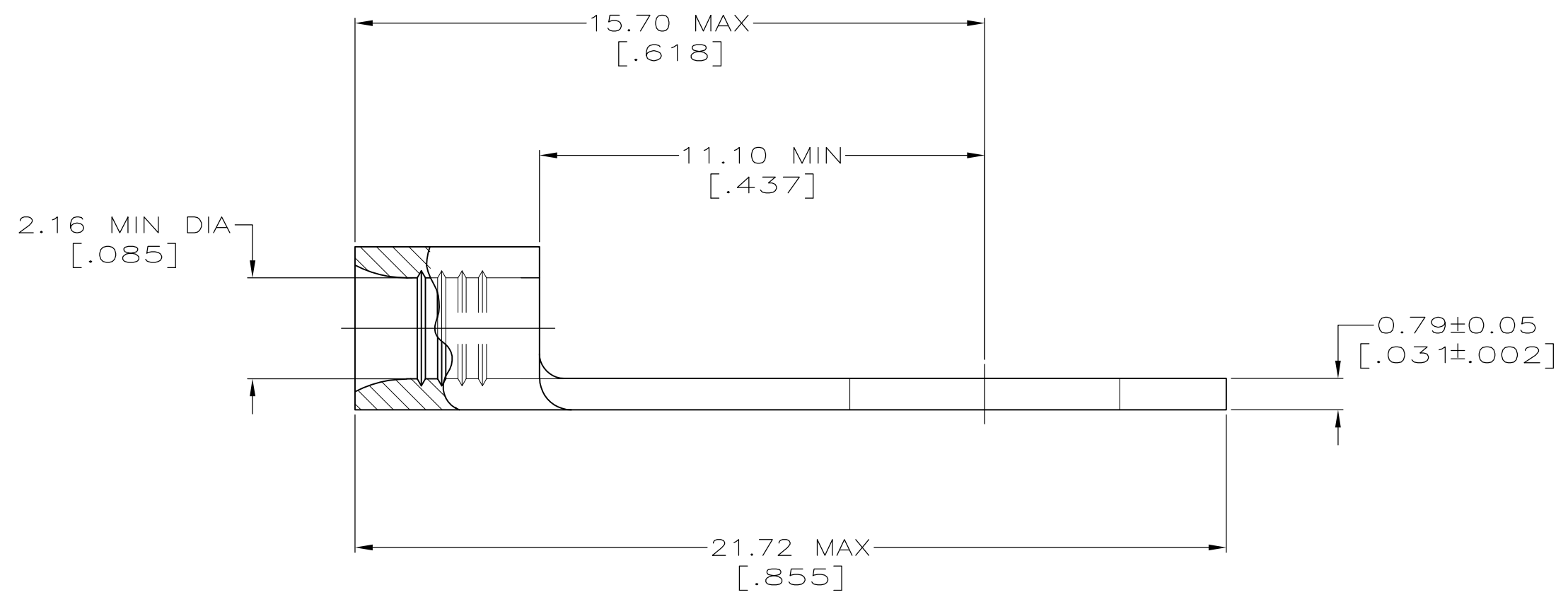


LOC	DIST	REVISIONS					
G	14	P	LTR	DESCRIPTION	DATE	OWN	APVD
		E1		REVISED PER ECO-11-004820	11MAR11	RK	HMR



AMP WIRE RANGE	E13288 Listed
16-14 AWG SOLID OR STRANDED	16-14 AWG SOLID OR STRANDED
LR7189 Certified	MILITARY P/N AND CLASS
16-14 AWG SOLID OR STRANDED	NOT APPLICABLE

- STAMP AMP 16-14* APPROX AS SHOWN
- 0.00254 [.000100] MIN TIN PER ASTM B-545.
- CLEANED, UNPLATED



	-	LOOSE PIECE	34124-1
	100	LOOSE PIECE, BOX SPECIAL (NO WINDOW)	8-34124-5
	100	LOOSE PIECE, BOX	8-34124-1
	5000	ON TAPE	2-34124-1
	----	LOOSE PIECE	34124
FINISH	QUANTITY	PACKAGING TYPE	PART NO

AMP INCORPORATED CUSTOMER SERVICE SYSTEMS		MAX RECOMMENDED OPERATING TEMPERATURE: 170° C MAX
FOR ADDITIONAL PRODUCT INFORMATION OR COPIES OF DRAWINGS AND TECHNICAL DOCUMENTS	PRODUCT INFORMATION CENTER 1-800-522-6752	VOLTAGE RATING: NOT APPLICABLE
FOR APPLICATION TOOLING INFORMATION	TOOLING ASSISTANCE CENTER 1-800-722-1111	WIRE CROSS SECTIONAL AREA RANGE: 1.04-2.62mm ² [2,050-5,180] CIR MILS SOLID OR STRANDED
FOR ORDER ENTRY	1-800-526-5142	THIS DRAWING IS A CONTROLLED DOCUMENT FOR AMP INCORPORATED. IT IS SUBJECT TO CHANGE AND THE CONTROLLING ENGINEERING ORGANIZATION SHOULD BE CONTACTED FOR THE LATEST REVISION.

THIS DRAWING IS A CONTROLLED DOCUMENT.		DWN TA BRINKMAN 3-17-93	TE Connectivity
DIMENSIONS: MM [INCHES]		CHK DA PATTERSON 3-17-93	
TOLERANCES UNLESS OTHERWISE SPECIFIED:		APVD DE MILLER 3-17-93	NAME TERMINAL, RING TONGUE, SOLISTRAND
0 PLC ± - 1 PLC ± - 2 PLC ± - 3 PLC ± - 4 PLC ± - ANGLES ± ± -		PRODUCT SPEC APPLICATION SPEC	SIZE A2
MATERIAL COPPER PER ASTM-B-152 ANNEALED	FINISH -	WEIGHT -	CAGE CODE 00779
		CUSTOMER DRAWING	DRAWING NO G-34124
		SCALE 8:1	RESTRICTED TO -
		SHEET 1 of 1	REV E1

Ring Tongue Terminals (Continued)

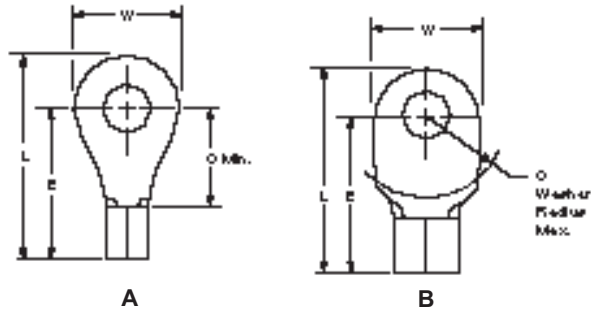
Wire Size Range

**AWG 16 to 10,
CMA 2,050 to 13,100
[1.04 to 6.64 mm²]**

Material

Terminal Body — Copper per
ASTM B-152

Plating — Tin per MIL-T-10727



Wire Size Circular Mills [mm ²]	Stud Size	Style	Dimensions				Material Thickness Max.	Wire Barrel I.D. Min.		Part Numbers	
			L Max.	E Max.	C	W		Solistrand	Budget	Solistrand	Budget
16-14 2,050-5,180 [1.04-2.62]	1/4 M6	A	.855	.618	.437	.469	.033	.085	.089	34124*	31164
			21.72	15.70	11.10	11.91	0.84	2.16	2.26	2-34124-1	
	5/16 M8	A	.855	.618	.437	.469	.033	.085	.089	34125*	31165
			21.72	15.70	11.10	11.91	0.84	2.16	2.26	2-34125-6	
	3/8	A	.995	.727	.546	.531	.033	.085	.089	34126*	31499
			25.27	18.47	13.87	13.49	0.84	2.16	2.26	2-34126-2	
1/2 M12	A	1.070	.711	.530	.713	.033	—	.089	—	328971	
		27.18	18.06	13.46	18.11	0.84	—	2.26	—		
14-12 3,260-8,230 [1.65-4.17]	8 M4	B	.685	.526	.250	.312	.042	.098	—	321827	—
			17.40	13.36	6.35	7.92	1.07	2.49	—	—	
	10	B	.739	.526	.250	.421	.042	.098	—	34484	—
			18.77	13.36	6.35	10.69	1.07	2.49	—	1-34484-0	
	1/4 M6	B	.685	.526	.250	.312	.042	.098	—	321828	—
			17.40	13.36	6.35	7.92	1.07	2.49	—	1-321828-0	
3/8	B	.739	.526	.250	.421	.042	.098	—	34487	—	
		18.77	13.36	6.35	10.69	1.07	2.49	—	—		
12-10 5,180-13,100 [2.62-6.64]	4	A	.630	.487	.219	.281	.042	.129	.134	322447	34891
			16.00	12.37	5.56	7.14	1.07	3.28	3.40	—	
	6 M3.5	A	.630	.487	.219	.281	.042	.129	.134	35476*	34892
			16.00	12.37	5.56	7.14	1.07	3.28	3.40	2-35476-1	
	A	.729	.570	.302	.312	.042	.129	.134	324911	324910	
		18.52	14.48	7.67	7.92	1.07	3.28	3.40	—		
	A	.765	.575	.302	.375	.042	.129	.134	33456	31112	
		19.43	14.61	7.67	9.53	1.07	3.28	3.40	2-33456-1		
	8 M4	A	.708	.549	.281	.312	.042	.129	.134	322454*	34404*
			17.98	13.94	7.14	7.92	1.07	3.28	3.40	—	
	A	.765	.575	.302	.375	.042	.129	.134	32994*	31113	
		19.43	14.61	7.67	9.53	1.07	3.28	3.40	2-32994-1		
	A	.723	.549	.281	.343	.042	.129	.134	322455	32882	
		18.36	13.94	7.14	8.71	1.07	3.28	3.40	2-322455-1		
	A	.765	.575	.302	.375	.042	.129	.134	33457*	31114*	
		19.43	14.61	7.67	9.53	1.07	3.28	3.40	2-33457-2		
	10	A	.808	.618	.343	.375	.042	.129	.134	31805	321829
			20.52	15.70	8.71	9.53	1.07	3.28	3.40	—	
	A	.865	.612	.344	.500	.042	.129	.134	35771*	34964	
		21.97	15.54	8.74	12.70	1.07	3.28	3.40	2-35771-1		
	A	1.004	.736	.468	.531	.042	.129	.134	36451	31120	
		25.50	18.69	11.89	13.49	1.07	3.28	3.40	—		
	1/4 M6	A	.865	.612	.344	.500	.042	.129	.134	35772*	34965
			21.97	15.54	8.74	12.70	1.07	3.28	3.40	2-35772-1	
A	1.004	.736	.468	.531	.042	.129	.134	33458*	31122*		
	25.50	18.69	11.89	13.49	1.07	3.28	3.40	2-33458-3			
5/16 M8	A	.865	.612	.344	.500	.042	—	.134	—	34966	
		21.97	15.54	8.74	12.70	1.07	—	3.40	—		
A	1.004	.736	.468	.531	.042	.129	.134	33459*	31123		
	25.50	18.69	11.89	13.49	1.07	3.28	3.40	2-33459-6			

Note: Part numbers are shown as loose piece over tape mounted product.

*Part numbers are available in small quantity packages.