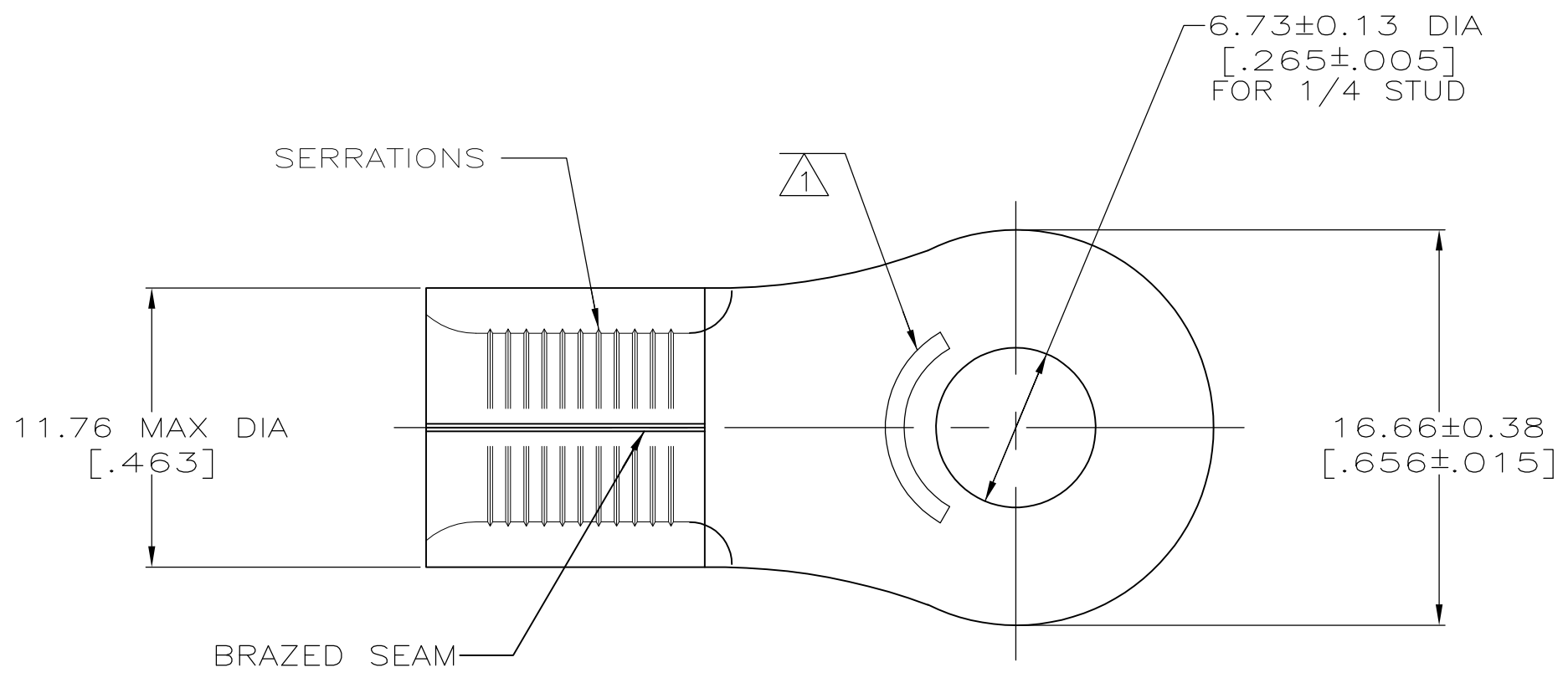
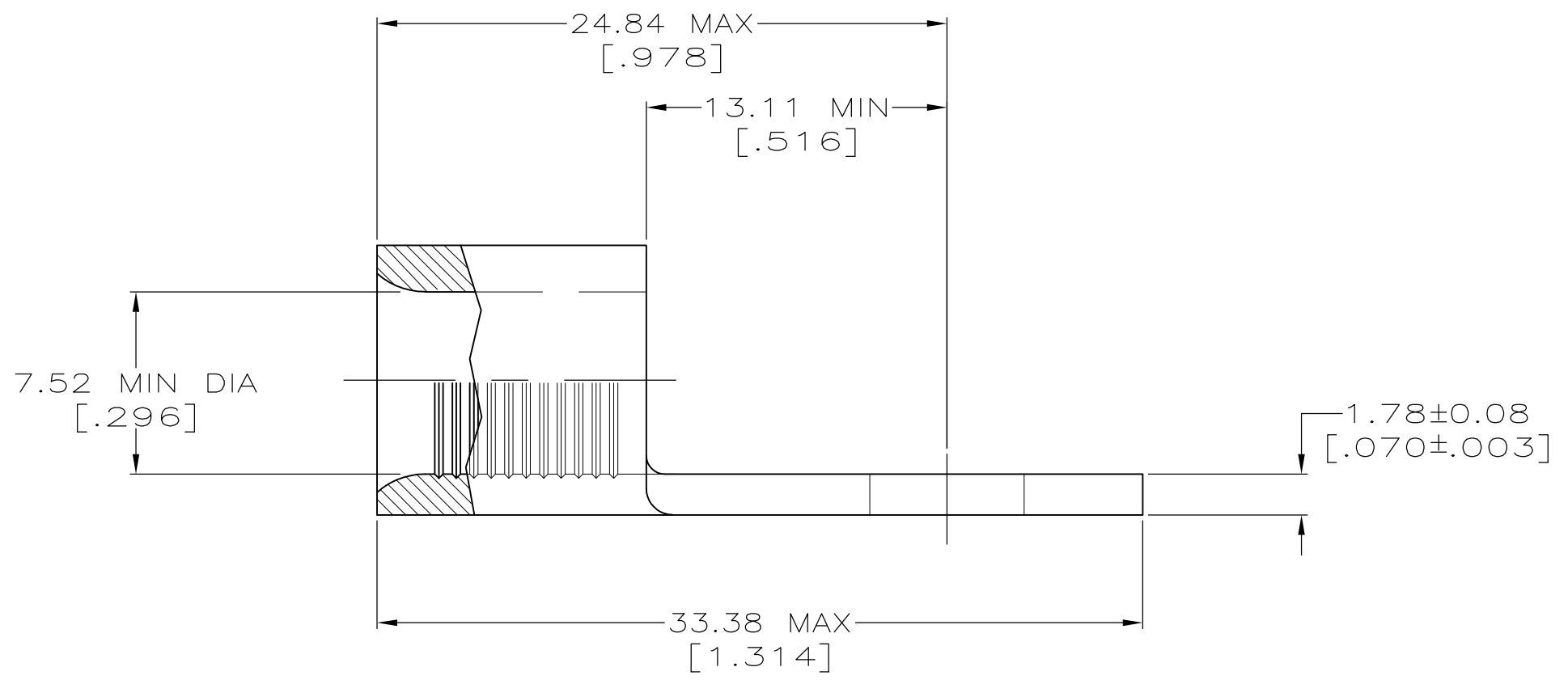


METRIC
 DIMENSIONS LISTED IN mm [INCHES]



AMP WIRE RANGE	E13288 Listed
4 AWG SOLID OR STRANDED	4 AWG STRANDED
LR7189 Certified	MILITARY P/N AND CLASS
4 AWG SOLID OR STRANDED	NOT APPLICABLE

STAMP AMP 4* APPROX AS SHOWN



25	LOOSE PIECE, BAG	8-33469-5
50	LOOSE PIECE, BOX	8-33469-2
500	ON TAPE, REEL	2-33469-4
500	LOOSE PIECE, BOX	2-33469-2
-	LOOSE PIECE	33469
QUANTITY	PACKAGING TYPE	PART NO

AMP INCORPORATED CUSTOMER SERVICE SYSTEMS		MAX RECOMMENDED OPERATING TEMPERATURE: 170° C MAX
FOR ADDITIONAL PRODUCT INFORMATION OR COPIES OF DRAWINGS AND TECHNICAL DOCUMENTS	PRODUCT INFORMATION CENTER 1-800-522-6752	VOLTAGE RATING: NOT APPLICABLE
FOR APPLICATION TOOLING INFORMATION	TOOLING ASSISTANCE CENTER 1-800-722-1111	WIRE CROSS SECTIONAL AREA RANGE: 16.8-26.7mm ² [33,100-52,600] CIR MILS SOLID OR STRANDED
FOR ORDER ENTRY	1-800-526-5142	THIS DRAWING IS A CONTROLLED DOCUMENT FOR AMP INCORPORATED. IT IS SUBJECT TO CHANGE AND THE CONTROLLING ENGINEERING ORGANIZATION SHOULD BE CONTACTED FOR THE LATEST REVISION.

THIS DRAWING IS A CONTROLLED DOCUMENT.		DWN TA BRINKMAN 3-29-93	TE Connectivity
DIMENSIONS: mm [INCHES]		CHK DA PATTERSON 3-29-93	
TOLERANCES UNLESS OTHERWISE SPECIFIED:		APVD DE MILLER 3-29-93	NAME TERMINAL, RING TONGUE, SOLISTRAND TM
0 PLC ± - 1 PLC ± - 2 PLC ± - 3 PLC ± - 4 PLC ± - ANGLES ± ± -		PRODUCT SPEC - APPLICATION SPEC -	SIZE A2
MATERIAL COPPER PER ASTM B-152 ANNEALED	FINISH TIN PLATE 0.00254[.00010] MIN. THK PER MIL-T-10727	WEIGHT -	DRAWING NO 00779
CUSTOMER DRAWING		SCALE 4:1	RESTRICTED TO -
		SHEET 1 of 1	REV L1

Ring Tongue Terminals (Continued)

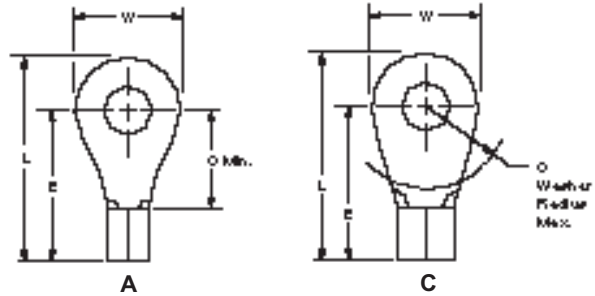
Wire Size Range

AWG 6 to 4,
CMA 20,800 to 52,600
[10.5 to 26.7 mm²]

Material

Terminal Body — Copper per
ASTM B-152

Plating — Tin per MIL-T-10727



Wire Size Circular Mils [mm ²]	Stud Size	Style	Dimensions				Material Thickness Max.	Wire Barrel I.D. Min. Solistrand	Part Numbers Solistrand	
			L Max.	E Max.	C	W				
6 20,800–33,100 [10.5–16.8]	10	C	1.181 30.00	.931 23.65	.531 13.49	.406 10.31	.060 1.52	.232 5.89	52197* 52197-1	
		C	1.181 30.00	.984 24.99	.584 14.83	.406 10.31	.060 1.52	.232 5.89	53106-1	
		C	1.246 31.65	.931 23.65	.531 13.49	.625 15.88	.060 1.52	.232 5.89	33464*	
		C	1.168 29.67	.931 23.65	.531 13.49	.468 11.89	.060 1.52	.232 5.89	321298* 2-321298-6	
	1/4 M6	C	1.246 31.65	.931 23.65	.531 13.49	.625 15.88	.060 1.52	.232 5.89	33465* 2-33465-1	
		C	1.168 29.67	.931 23.65	.531 13.49	.468 11.89	.060 1.52	.232 5.89	321598* 2-321598-3	
	5/16 M8	C	1.246 31.65	.931 23.65	.531 13.49	.625 15.88	.060 1.52	.232 5.89	33466* 2-33466-3	
		C	1.246 31.65	.931 23.65	.531 13.49	.625 15.88	.060 1.52	.232 5.89	33467* 2-33467-3	
	3/8	A	2.033 51.64	1.400 35.56	1.000 25.40	1.250 31.75	.060 1.52	.232 5.89	36807	
		C	1.246 31.65	.931 23.65	.531 13.49	.625 15.88	.060 1.52	.232 5.89	320745	
	1/2 M12	C	1.840 46.74	1.400 35.56	1.000 25.40	.875 22.23	.060 1.52	.232 5.89	320344*	
		A	2.033 51.64	1.400 35.56	1.000 25.40	1.250 31.75	.060 1.52	.232 5.89	36808	
	5/8	A	2.033 51.64	1.400 35.56	1.000 25.40	1.250 31.75	.060 1.52	.232 5.89	36809	
		A	2.033 51.64	1.400 35.56	1.000 25.40	1.250 31.75	.060 1.52	.232 5.89	36810	
	4 33,100–52,600 [16.8–26.7]	10	A	1.314 33.38	.978 24.84	.516 13.11	.656 16.66	.073 1.85	.296 7.52	33468*
			C	1.199 30.45	.946 24.03	.437 11.10	.500 12.70	.073 1.85	.280 7.11	33114
		1/4 M6	A	1.314 33.38	.978 24.84	.516 13.11	.656 16.66	.073 1.85	.296 7.52	33469*
			C	1.199 30.45	.946 24.03	.437 11.10	.500 12.70	.073 1.85	.280 7.11	2-31811-4
5/16 M8		A	1.314 33.38	.978 24.84	.516 13.11	.656 16.66	.073 1.85	.296 7.52	33470*	
		C	1.324 33.63	1.009 25.63	.500 12.70	.625 15.88	.073 1.85	.280 7.11	33115	
3/8		A	1.314 33.38	.978 24.84	.516 13.11	.656 16.66	.073 1.85	.296 7.52	33471*	
		A	2.090 53.09	1.462 37.13	1.000 25.40	1.250 31.75	.073 1.85	.296 7.52	36815	
		C	1.902 48.31	1.462 37.13	1.000 25.40	.875 22.23	.073 1.85	.296 7.52	322704	
		C	1.324 33.63	1.009 25.63	.500 12.70	.625 15.88	.073 1.85	.280 7.11	31812	

Note: Part numbers are shown as loose piece over tape mounted product.
*Part numbers are available in small quantity packages.
semi-automatic pneumatic crimping system.