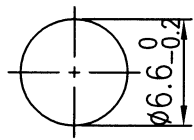


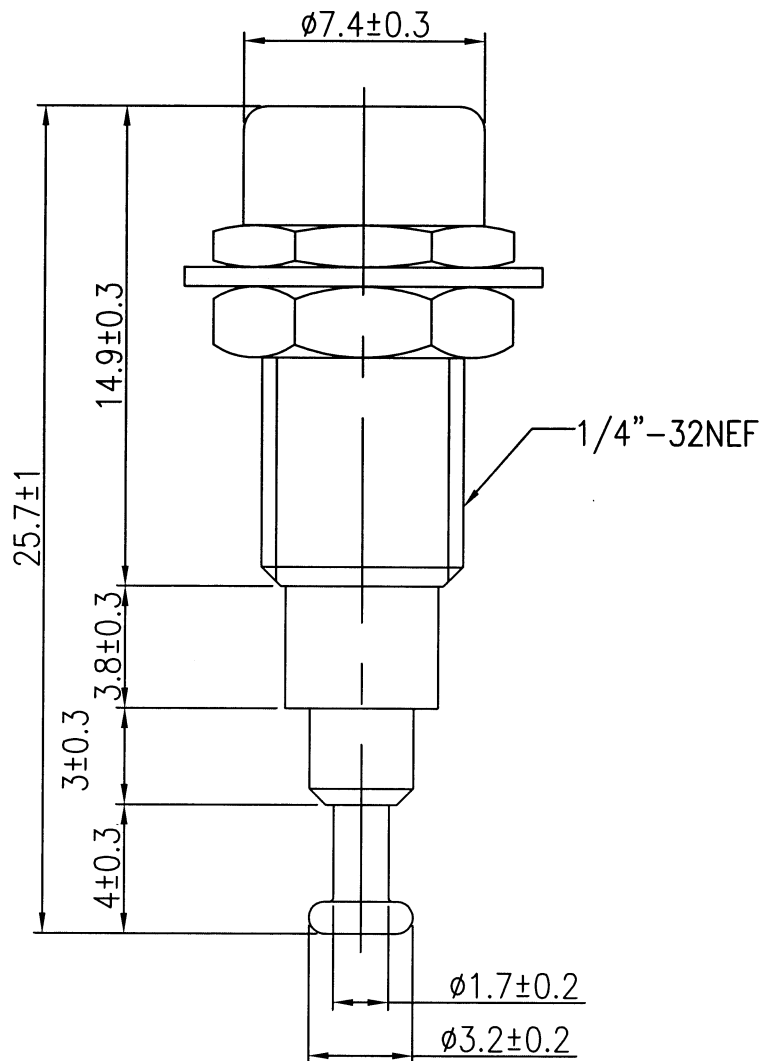
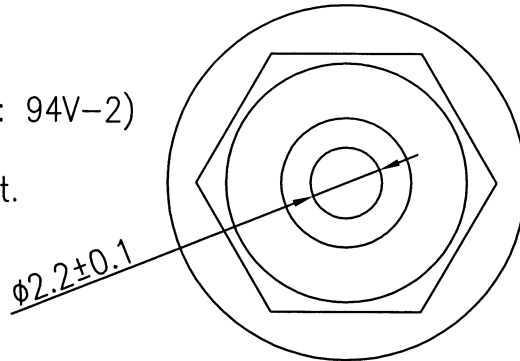
Rating	10A	Mount Hole	Circuit Structure
Insulation Resistance	DC 500V 100M ohm Min.		Nil
Dielectric Strength	AC 1000V 1 minute		
Operation Temperature	-10°C~80°C		

Material:

Insulation: Nylon (UL Flame: 94V-2)

Metal: Nickel plated brass.

Ø2.0mm (0.080") tip socket.



D\R1-R3\R1-17



NO

Date	Name	Descriptions				NO
Drawn	Checked	Approved	SCI BOM No.	Model Name	BINDING POSTS	
歐陽安	<i>[Signature]</i>		Customer No.	Model No.	R1-17	REV.
06/15/'10	6/15/10		Unit	mm		X0