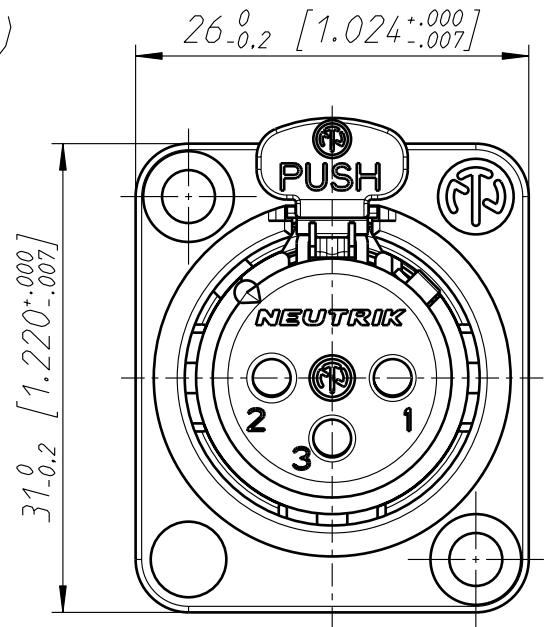
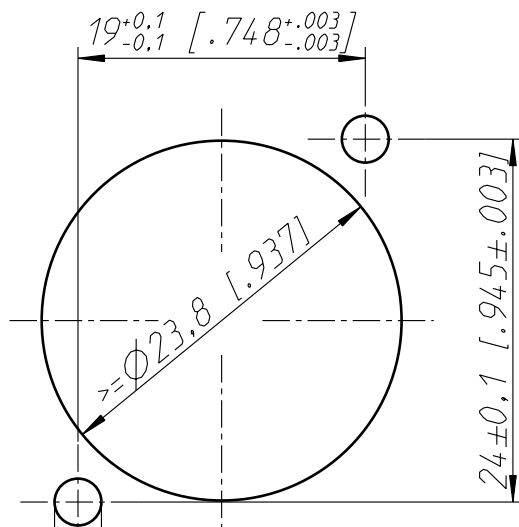


Frontplattenausschnitt (Rückseite)
Panel cut out (rear side)



Ø3,1 [1.122]

Allgemeintoleranzen ISO 2768-m	Werkstoff	Massstab:	Datum	Name	
Zeichnung urheberrechtlich geschuetzt (DIN 34) (C)	-	2:1 (A4)	Gezeichnet	02.05.07	Mijatovic
	-		Freigegeben	-	-
Benennung NA3FDM NA3FDM			Geändert	11.12.07	Mijatovic
			Aend.-Nr.	-	Aend.-Index A
			Ersatz fuer:	-	Blatt 1 von 1 Bl.
NEUTRIK AG FL-9494 SCHAAN			Zeichn. Nr.	ST-NA3FDM	



D Shape Adapters

NA3FDM

Product

Connector Type Adapter

Electrical

Capacitance between contacts ≤ 4 pF
Contact resistance ≤ 5 m Ω
Dielectric strength 1,5 kVdc
Insulation resistance > 2 G Ω (initial)
Insulation resistance > 1 G Ω (after damp heat test)
Rated current per contact 16 A
Rated voltage 50 V

Mechanical

Insertion force ≤ 20 N
Withdrawal force ≤ 20 N
Lifetime > 1000 mating cycles
Wire size max. 2.5 mm²
Wire size max. 14 AWG
Wiring Solder contacts
Locking device latch lock
Mounting direction front & rear
Chassis shape D

Material

Contact plating 2 μ m Ag over 2 μ m Ni
Contacts female: Bronze (CuSn6), male: Brass (CuZn35Pb2)
Insert Polyamide (PA 6.6 30 % GR)
Locking element Steel Ck67
Shell Zinc diecast (ZnAl4Cu1)
Shell plating Nickel

Environmental

Flammability UL 94 HB
Standard compliance IEC 61076-2-103
Protection class IP 40
Solderability Complies with IEC 68-2-20
Temperature range -30 °C to +80 °C