

Plug - PTSM 0,5/ 4-P-2,5 - 1778858

Please be informed that the data shown in this PDF Document is generated from our Online Catalog. Please find the complete data in the user's documentation. Our General Terms of Use for Downloads are valid (<http://download.phoenixcontact.com>)



Plug component, Nominal current: 6 A, Rated voltage (III/2): 160 V, Number of positions: 4, Pitch: 2.5 mm, Connection method: Spring-cage conn., Color: Black, Contact surface: Tin

Product Features

- Can be plugged into THR and SMD base strips
- Spring-cage and pierce contact technology
- Miniature plug with 2.5 mm pitch

Key commercial data

| | |
|-------------------------|---------------|
| package_quantity | 250 |
| GTIN | 4046356530064 |

Technical data

Dimensions

| | |
|--------------------|--------|
| Length | 15 mm |
| Height | 5 mm |
| Pitch | 2.5 mm |
| Dimension a | 7.5 mm |

General

| | |
|--|---------------------|
| Range of articles | PTSM 0,5/..-P |
| Insulating material group | I |
| Rated surge voltage (III/3) | 2.5 kV |
| Rated surge voltage (III/2) | 2.5 kV |
| Rated surge voltage (II/2) | 2.5 kV |
| Rated voltage (III/3) | 100 V |
| Rated voltage (III/2) | 160 V |
| Rated voltage (II/2) | 320 V |
| Connection in acc. with standard | EN-VDE |
| Nominal current I_N | 6 A |
| Nominal cross section | 0.5 mm ² |
| Maximum load current | 6 A |
| Insulating material | PA |
| Inflammability class according to UL 94 | V0 |
| Stripping length | 6 mm |

Plug - PTSM 0,5/ 4-P-2,5 - 1778858

Technical data

General

| | |
|----------------------------|---|
| Number of positions | 4 |
|----------------------------|---|

Connection data

| | |
|---|----------------------|
| Conductor cross section solid min. | 0.14 mm ² |
| Conductor cross section solid max. | 0.5 mm ² |
| Conductor cross section stranded min. | 0.2 mm ² |
| Conductor cross section stranded max. | 0.5 mm ² |
| Conductor cross section stranded, with ferrule without plastic sleeve min. | 0.25 mm ² |
| Conductor cross section stranded, with ferrule without plastic sleeve max. | 0.5 mm ² |
| Conductor cross section AWG/kcmil min. | 24 |
| Conductor cross section AWG/kcmil max | 20 |
| Minimum AWG according to UL/CUL | 26 |
| Maximum AWG according to UL/CUL | 20 |

classifications

eCl@ss

| | |
|-------------------|----------|
| eCl@ss 4.0 | 272607xx |
| eCl@ss 4.1 | 27260701 |
| eCl@ss 5.0 | 27260701 |
| eCl@ss 5.1 | 27260701 |
| eCl@ss 6.0 | 27260704 |
| eCl@ss 7.0 | 27440402 |
| eCl@ss 8.0 | 27440402 |

ETIM

| | |
|-----------------|----------|
| ETIM 3.0 | EC001121 |
| ETIM 4.0 | EC002638 |
| ETIM 5.0 | EC002637 |

UNSPSC

| | |
|----------------------|----------|
| UNSPSC 6.01 | 30211810 |
| UNSPSC 7.0901 | 39121409 |
| UNSPSC 11 | 39121409 |
| UNSPSC 12.01 | 39121409 |
| UNSPSC 13.2 | 39121409 |

approvals

UL Recognized / cUL Recognized / GOST / GOST / UL Recognized / cULus Recognized /

Plug - PTSM 0,5/ 4-P-2,5 - 1778858

approvals

Approval details

| | |
|----------------------------|----------|
| UL Recognized | |
| Usegroups | B |
| Nominal voltage UN | 150 V |
| Nominal current IN | 5 A |
| mm ² /AWG/kcmil | 26-20 |

| | |
|----------------------------|----------|
| cUL Recognized | |
| Usegroups | B |
| Nominal voltage UN | 150 V |
| Nominal current IN | 5 A |
| mm ² /AWG/kcmil | 26-20 |

| |
|-------------|
| GOST |
|-------------|

| |
|--|
| |
|--|

| | |
|----------------------------|----------|
| RU | |
| Usegroups | B |
| Nominal voltage UN | 150 V |
| Nominal current IN | 5 A |
| mm ² /AWG/kcmil | 26-20 |

| | |
|-------------------------|--|
| cULus Recognized | |
|-------------------------|--|

accessories

Screwdriver tools

Plug - PTSM 0,5/ 4-P-2,5 - 1778858

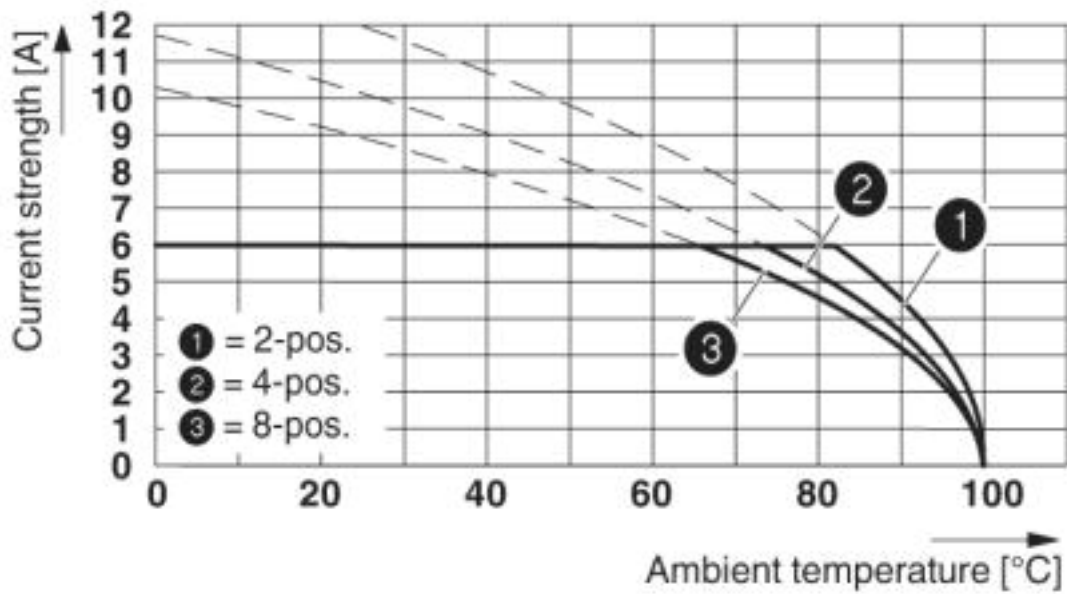
accessories

SZS 0,4X2,0 - 1205202



Drawings

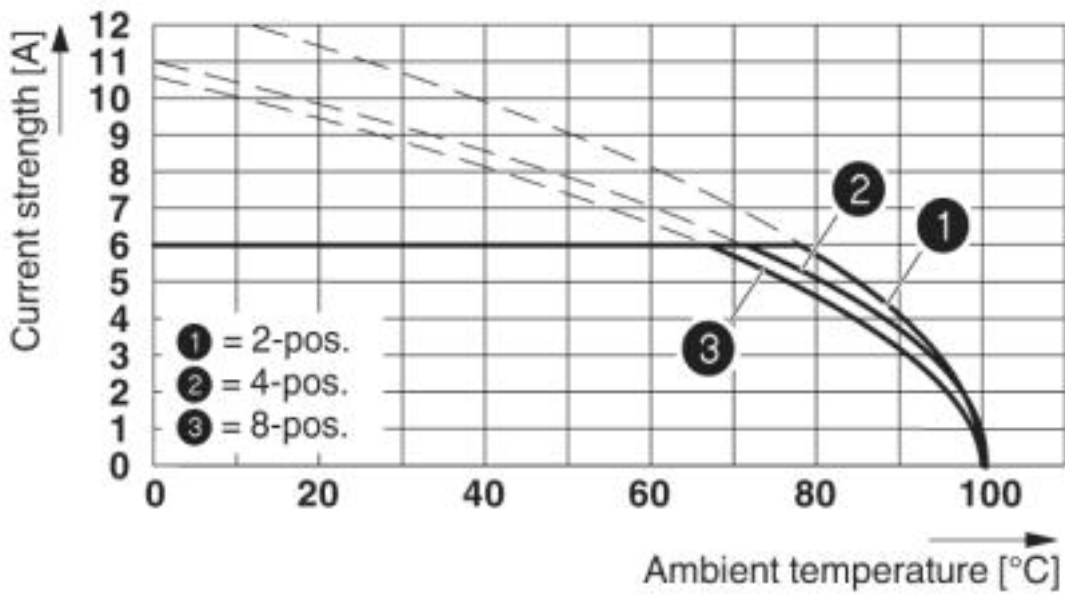
Diagram



Derating curve for: PTSM 0,5/...-P-2,5 with PTSM 0,5/...-HV-2,5-THR R...

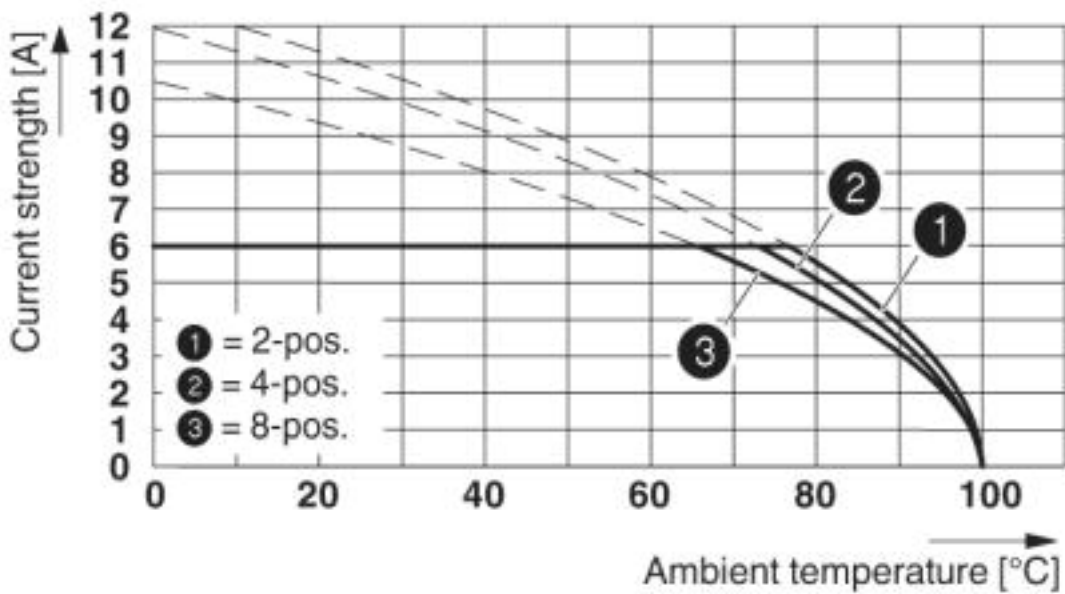
Plug - PTSM 0,5/ 4-P-2,5 - 1778858

Diagram



Derating curve for: PTSM 0,5/...P-2,5 with PTSM 0,5/...HH-2,5-THR R..

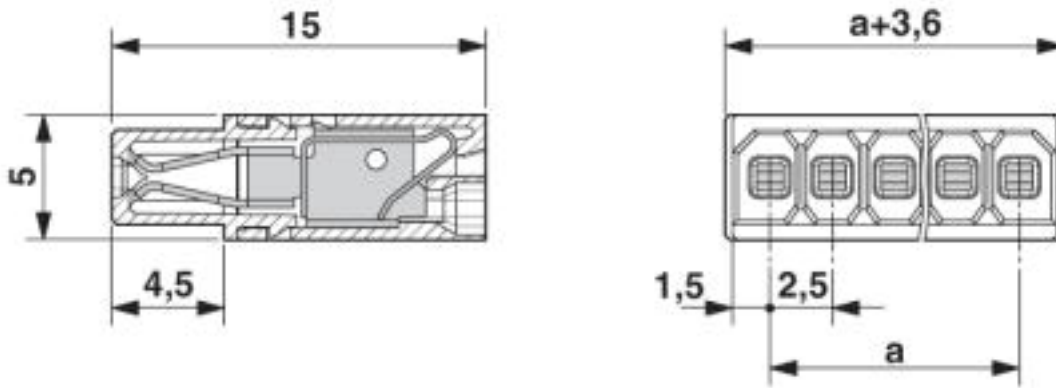
Diagram



Derating curve for: PTSM 0,5/...P-2,5 with PTSM 0,5/...HH-2,5-SMD R..

Plug - PTSM 0,5/ 4-P-2,5 - 1778858

Dimensioned drawing



© Phoenix Contact 2013 - all rights reserved
<http://www.phoenixcontact.com>