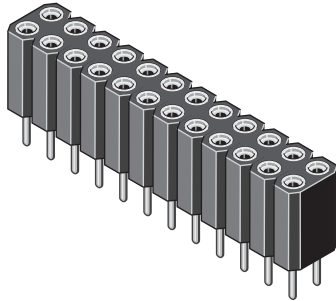


FEMALE HEADER „PRECISION“

ID: 116

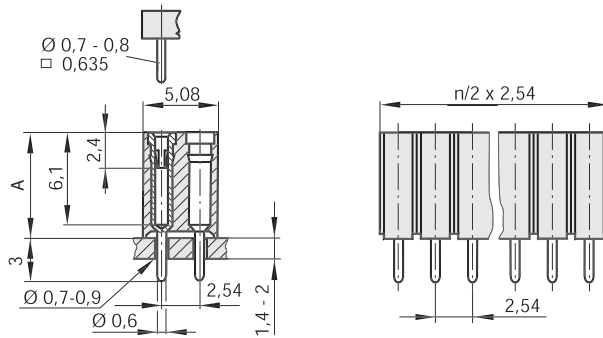
BL 20-XXX

Series 431



TECHNICAL DATA

Pitch	2,54 mm
Insulating Material	high temp. thermoplast UL94V-0
Contact Material	BeCu
Rated Current	3 Amp.
Rated Voltage	150 V _{RMS} / V _{DC}
Withstanding Voltage	min. 1000 V _{RMS}
Operating Temperature	-55°C to +125°C
Maximum Soldering Temperature	260°C for 10 seconds



Code	A
	7,00
800	8,00
850	8,50

All dimensions in mm.
Other dimensions upon request.

BL 20 - XXX - X XXX U

- BL 20: 2 rows, straight
- XXX: No. of contacts
2 - 100 poles possible
- X: Blank = sleeve: Sn / clip Au
8 = sleeve: Sn / clip 0,75µm Au
- XXX: Blank = mounting height 7,00mm
800 = mounting height 8,00mm
850 = mounting height 8,50mm
- U: RoHS-compliant with high temp. plastic

7 | 2,54 mm