

Plug - PTSM 0,5/ 7-P-2,5 - 1778887

Please be informed that the data shown in this PDF Document is generated from our Online Catalog. Please find the complete data in the user's documentation. Our General Terms of Use for Downloads are valid (<http://download.phoenixcontact.com>)



Plug component, Nominal current: 6 A, Rated voltage (III/2): 160 V, Number of positions: 7, Pitch: 2.5 mm, Connection method: Spring-cage conn., Color: Black, Contact surface: Tin

Product Features

- Can be plugged into THR and SMD base strips
- Spring-cage and pierce contact technology
- Miniature plug with 2.5 mm pitch

Key commercial data

package_quantity	100
GTIN	4046356530095

Technical data

Dimensions

Length	15 mm
Height	5 mm
Pitch	2.5 mm
Dimension a	15 mm

General

Range of articles	PTSM 0,5/..-P
Insulating material group	I
Rated surge voltage (III/3)	2.5 kV
Rated surge voltage (III/2)	2.5 kV
Rated surge voltage (II/2)	2.5 kV
Rated voltage (III/3)	100 V
Rated voltage (III/2)	160 V
Rated voltage (II/2)	320 V
Connection in acc. with standard	EN-VDE
Nominal current I_N	6 A
Nominal cross section	0.5 mm ²
Maximum load current	6 A
Insulating material	PA
Inflammability class according to UL 94	V0
Stripping length	6 mm

Plug - PTSM 0,5/ 7-P-2,5 - 1778887

Technical data

General

Number of positions	7
---------------------	---

Connection data

Conductor cross section solid min.	0.14 mm ²
Conductor cross section solid max.	0.5 mm ²
Conductor cross section stranded min.	0.2 mm ²
Conductor cross section stranded max.	0.5 mm ²
Conductor cross section stranded, with ferrule without plastic sleeve min.	0.25 mm ²
Conductor cross section stranded, with ferrule without plastic sleeve max.	0.5 mm ²
Conductor cross section AWG/kcmil min.	24
Conductor cross section AWG/kcmil max	20
Minimum AWG according to UL/CUL	26
Maximum AWG according to UL/CUL	20

classifications

eCl@ss

eCl@ss 4.0	272607xx
eCl@ss 4.1	27260701
eCl@ss 5.0	27260701
eCl@ss 5.1	27260701
eCl@ss 6.0	27260704
eCl@ss 7.0	27440402
eCl@ss 8.0	27440402

ETIM

ETIM 3.0	EC001121
ETIM 4.0	EC002638
ETIM 5.0	EC002637

UNSPSC

UNSPSC 6.01	30211810
UNSPSC 7.0901	39121409
UNSPSC 11	39121409
UNSPSC 12.01	39121409
UNSPSC 13.2	39121409

approvals

UL Recognized / cUL Recognized / GOST / GOST / UL Recognized / cULus Recognized /

Plug - PTSM 0,5/ 7-P-2,5 - 1778887

approvals

Approval details

UL Recognized	
Usegroups	B
Nominal voltage UN	150 V
Nominal current IN	5 A
mm ² /AWG/kcmil	26-20

cUL Recognized	
Usegroups	B
Nominal voltage UN	150 V
Nominal current IN	5 A
mm ² /AWG/kcmil	26-20

GOST

--

RU	
Usegroups	B
Nominal voltage UN	150 V
Nominal current IN	5 A
mm ² /AWG/kcmil	26-20

cULus Recognized	
-------------------------	--

accessories

Screwdriver tools

Plug - PTSM 0,5/ 7-P-2,5 - 1778887

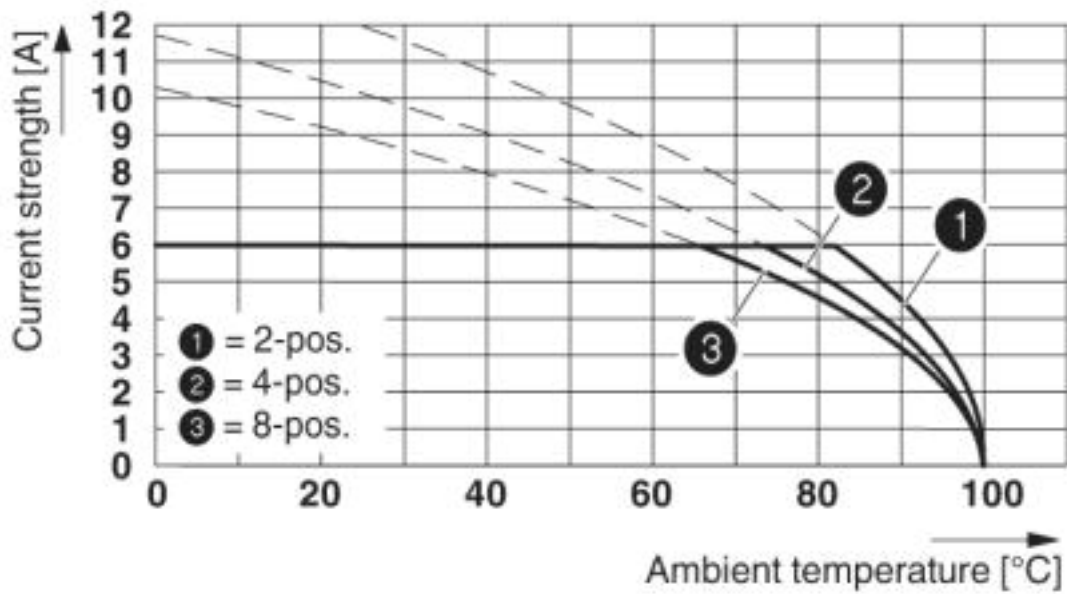
accessories

SZS 0,4X2,0 - 1205202



Drawings

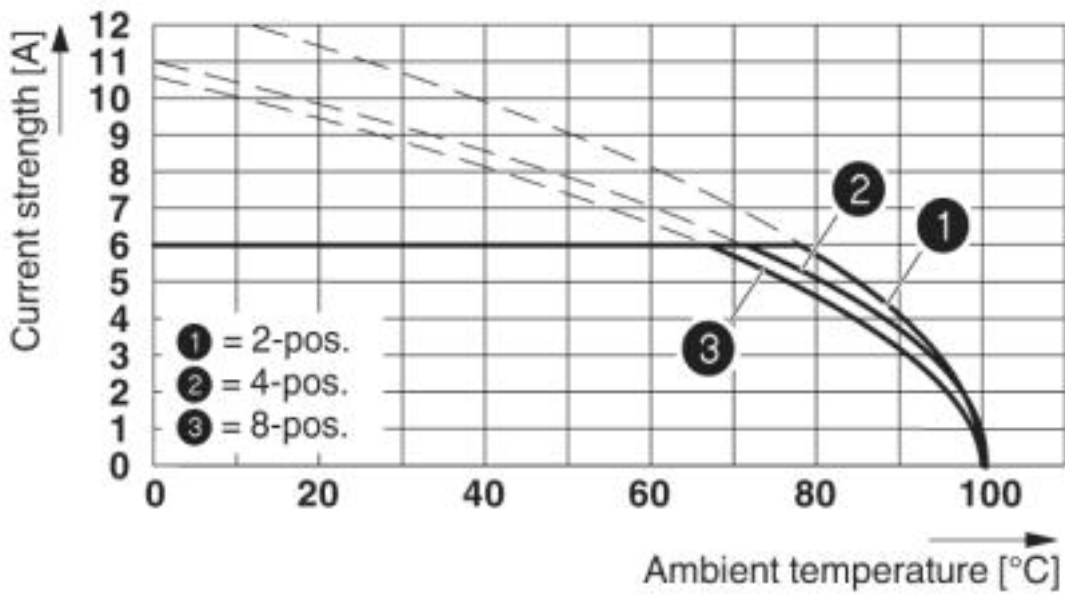
Diagram



Derating curve for: PTSM 0,5/...-P-2,5 with PTSM 0,5/...-HV-2,5-THR R...

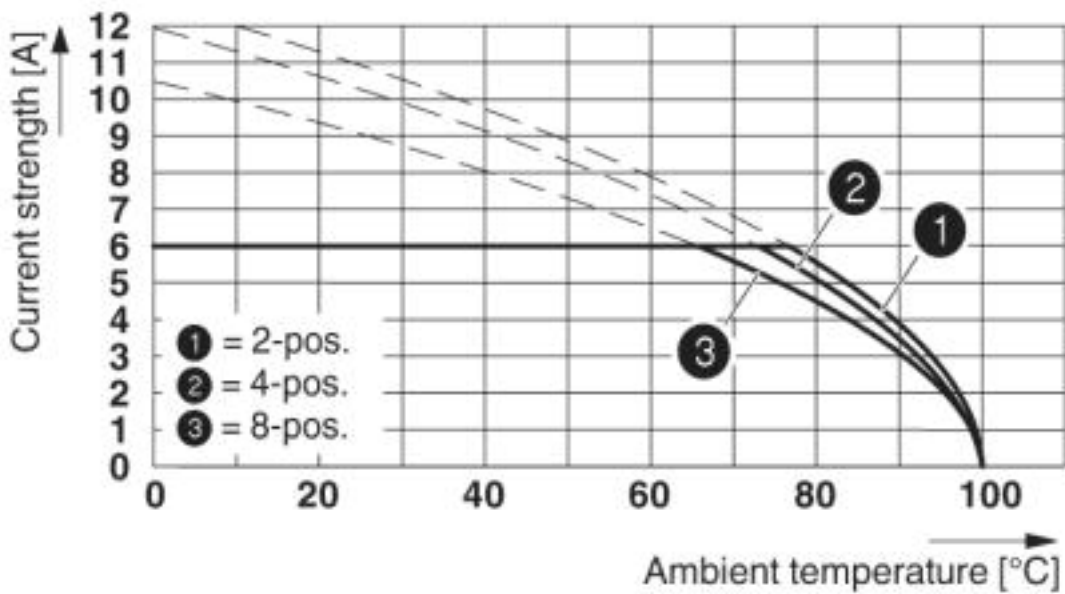
Plug - PTSM 0,5/ 7-P-2,5 - 1778887

Diagram



Derating curve for: PTSM 0,5/...-P-2,5 with PTSM 0,5/...-HH-2,5-THR R..

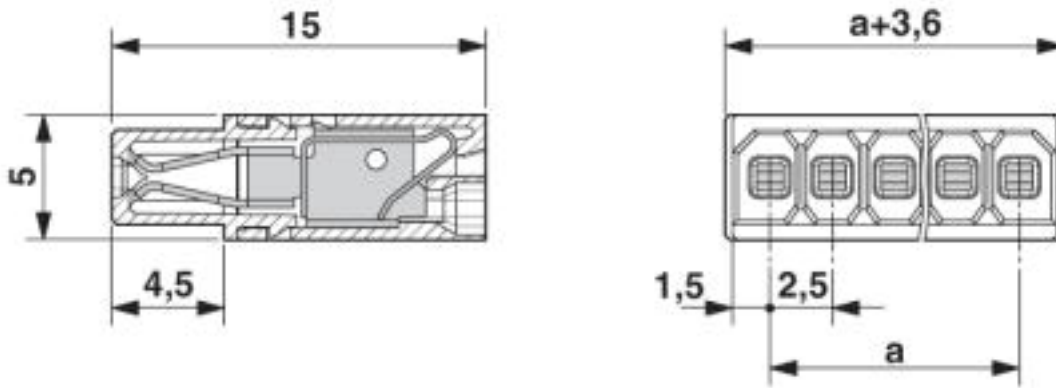
Diagram



Derating curve for: PTSM 0,5/...-P-2,5 with PTSM 0,5/...-HH-2,5-SMD R..

Plug - PTSM 0,5/ 7-P-2,5 - 1778887

Dimensioned drawing



© Phoenix Contact 2013 - all rights reserved
<http://www.phoenixcontact.com>