



Industry

M-Line

NMJ4HC-S

Product

Connector Type Jack
Gender female

Electrical

Contact resistance < 15 mΩ
Dielectric strength 1 kVdc
Insulation resistance ≥ 1 GΩ @ 500 V dc
Rated current per contact 3 A
Rated current per contact 0,50 A @ 50 V (Switch contact)
Switching contacts 2
Switchable yes

Mechanical

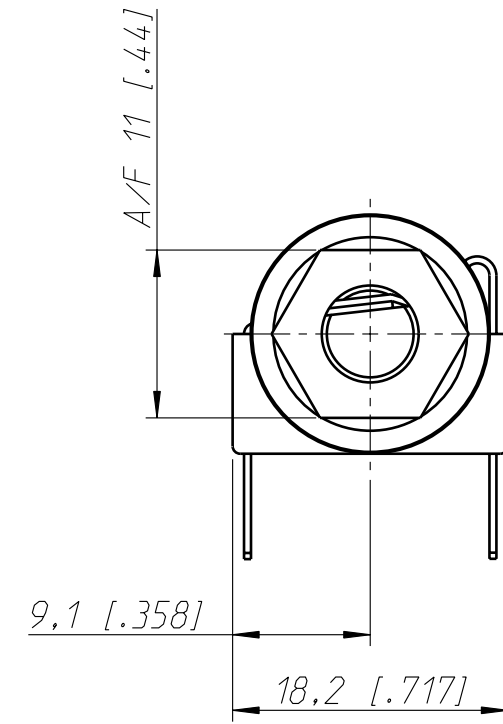
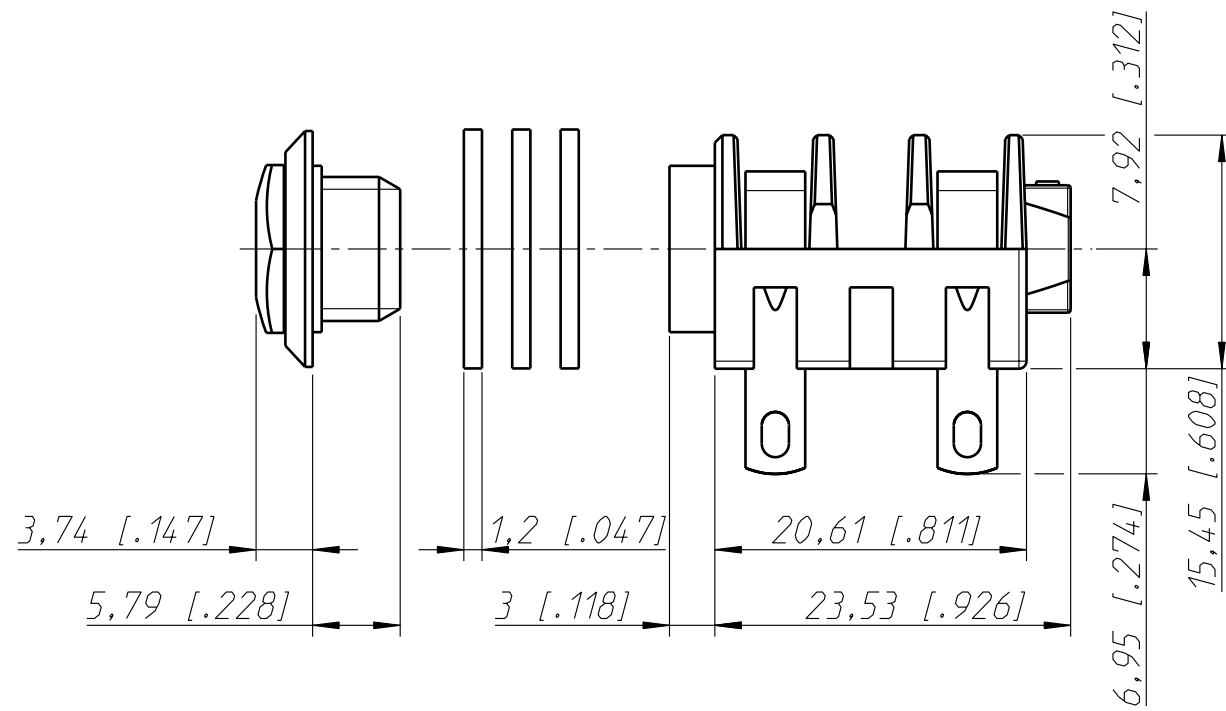
Insertion force < 20 N
Withdrawal force < 10 N
Lifetime > 10000 mating cycles
Panel thickness < 4.7 mm
Wiring Horizontal PCB mount
Locking device retention spring
Mounting direction rear
Chassis shape 11.4 mm

Material

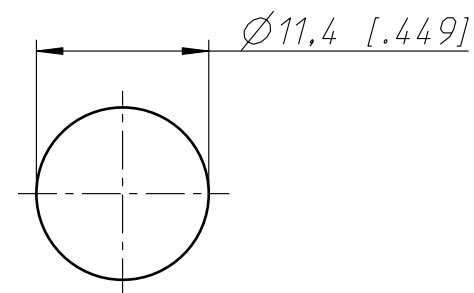
Cap / Nut / Washer PA 6.6 15% GR
Contacts Nickel-Silver
Shell Polyamide (PA 6.6 15 % GR)

Environmental

Standard compliance EIA RS 453, IEC 60603-11
Solderability Complies with IEC 68-2-20
Temperature range -25 °C to +70 °C



Frontplattenausschnitt (Rückseite)
 Panel cut out (rear side)



Allgemeintoleranzen ISO 2768-m	Werkstoff Stahl	Massstab: 2:1 (A3)	Gezeichnet	Datum	Name
			Freigegeben	04.02.03	Ender
Zeichnung urheberrechtlich geschützt (DIN 34) (C)	-		Geändert	-	-
			Aend.-Nr.	-	Aend.-Index -
Benennung M Jack NMJ4HC-S			Ersatz fuer:	Blatt 1 von 1 Bl.	
NEUTRIK AG FL-9494 SCHAAN			Zeichn. Nr.	ST-NMJ4HC-S	