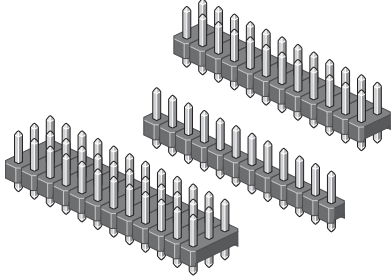


PIN HEADER 2,54mm
ID: 087

standard insulator
STL 1-XXXXG / STL 2-XXXXG / STL 3-XXXXG

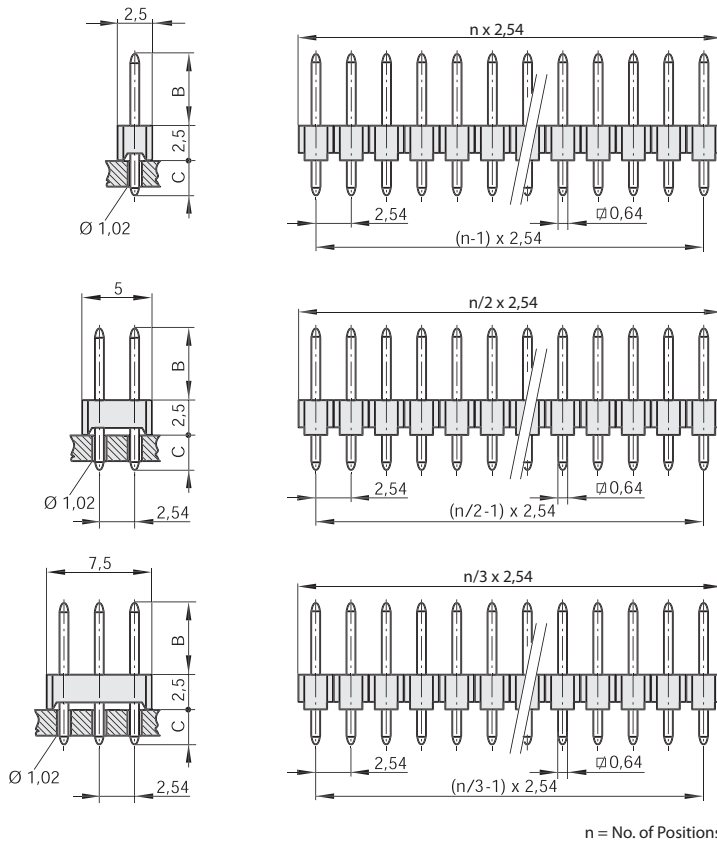
Series 400



TECHNICAL DATA

Pitch	2,54 mm
Insulating Material	high temp. thermoplast UL94V-0
Contact Material	copper alloy
Rated Current	3 Amp.
Rated Voltage	150 V _{RMS} /V _{DC}
Withstanding Voltage	500 V _{AC} for one minute
Operating Temperature	-40°C to +105°C
Maximum Soldering Temperature	260°C for 10 seconds

7 | 2,54 mm



Code	Dimensions	
	B	C
1020	5,20	2,50
1080	5,80	2,50
1130	5,50	3,30
1160	6,00	3,00
1260	6,80	3,30
1390	8,20	3,30
1470	9,00	3,30
1650	10,70	3,30
1770	12,10	3,30
1980	14,00	3,30
2160	15,80	3,30
2280	17,00	3,30
2490	19,10	3,30
Custom		

All dimensions in mm.
Other dimensions upon request.

STL X - XXXX G XX - XXX U

Rows: 1 = 1 rows
2 = 2 rows
3 = 3 rows

Code: see table

G: straight contacts

Plating: TT = Sn
GT = Sel. Au
GG = Au

U: RoHS-compliant with high temp. plastic

Pins: 1 row: 1 - 50 contacts
2 rows: 2 - 100 contacts
3 rows: 3 - 120 contacts