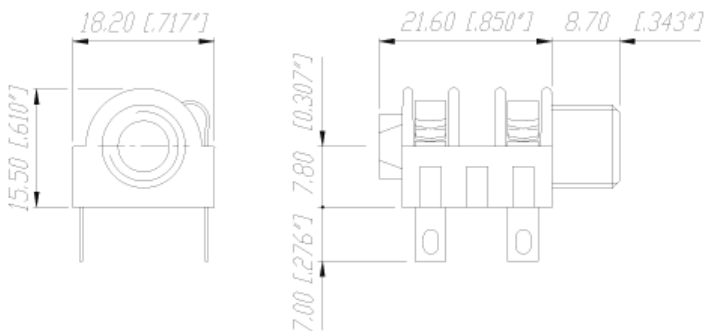




M-Line

NMJ4HF-S



Product

Connector Type

Jack

Gender

female

Electrical

Contact resistance

< 15 mΩ

Dielectric strength

1 kVdc

Insulation resistance

≥ 1 GΩ @ 500 V dc

Rated current per contact

3 A

Rated current per contact

0,50 A @ 50 V (Switch contact)

Switching contacts

2

Switchable

yes

Mechanical

Insertion force

< 20 N

Withdrawal force

< 10 N

Lifetime

> 10000 mating cycles

Panel thickness

< 3 mm

Wiring

Horizontal PCB mount

Locking device

retention spring

Mounting direction

rear

Chassis shape

11.2 mm

Material

Cap / Nut / Washer

PA 6.6 15% GR

Contacts

Nickel-Silver

Shell

Polyamide (PA 6.6 15 % GR)

Environmental

Standard compliance

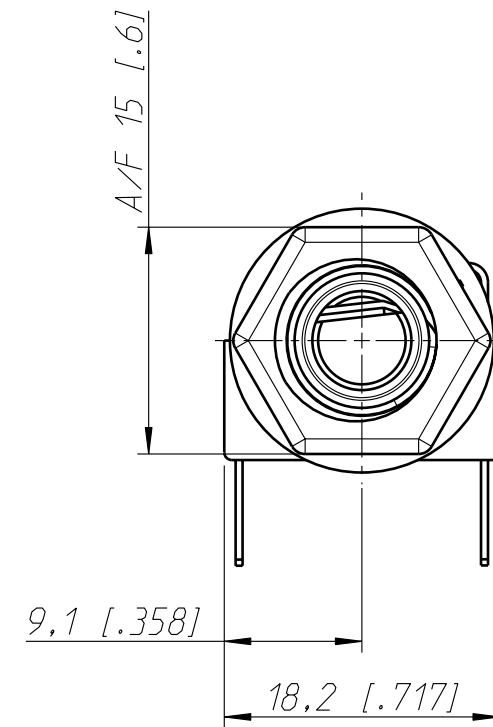
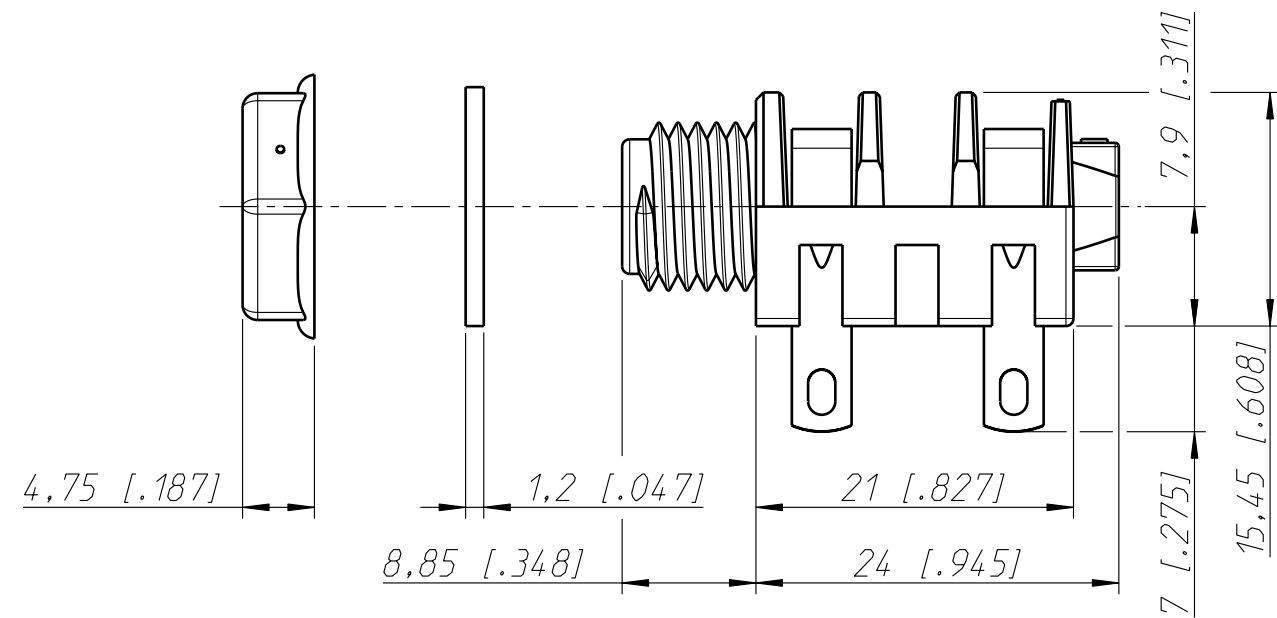
EIA RS 453, IEC 60603-11

Solderability

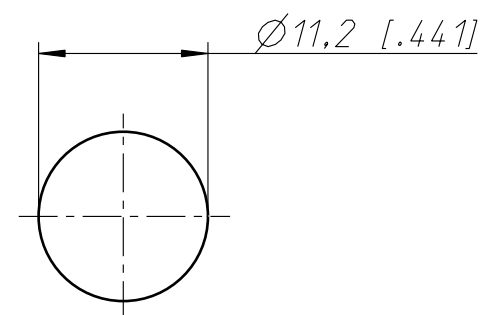
Complies with IEC 68-2-20

Temperature range

-25 °C to +70 °C



Frontplattenausschnitt (Rückseite)
Panel cut out (rear side)



Allgemeintoleranzen ISO 2768-m	Werkstoff KEIN_MAT	Massstab: 2:1 (A3)	Gezeichnet	Datum	Name
			Freigegeben	04.02.03	Ender
Zeichnung urheberrechtlich geschützt (DIN 34) (C)	-		Geändert	-	-
			Aend.-Nr.	-	Aend.-Index -
Benennung M Jack NMJ4HF-S			Ersatz fuer:	Blatt 1 von 1 Bl.	
NEUTRIK AG FL-9494 SCHAAN			Zeichn. Nr. ST-NMJ4HF-S		