

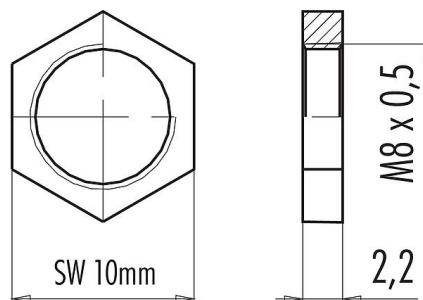
Product description

Area **series 718/772/775/768**
 Part no. **01 0769 001**

Illustration



Scale drawing



Technical data

General features

Part no.	01 0769 001
Thread	M8x0.5
Width across flat	SW 10
Weight (g)	0.653
Customs tariff number	85389099

Material

REACH SVHC	CAS 7439-92-1 (Lead)
SCIP number	49a89df8-0155-4d35-8b68-4f53f9b09298
Surface	DIN 50968-Cu/Ni4 halbmatt
Material	CuZn39 Pb3 F50

Classifications

eCl@ss 11.1	27-44-01-92
-------------	-------------