



Industry

M-Line

NMJ6HF-S

Product

Connector Type	Jack
Gender	female

Electrical

Contact resistance	< 15 m Ω
Dielectric strength	1 kVdc
Insulation resistance	\geq 1 G Ω @ 500 V dc
Rated current per contact	3 A
Rated current per contact	0,50 A @ 50 V (Switch contact)
Switching contacts	3
Switchable	yes

Mechanical

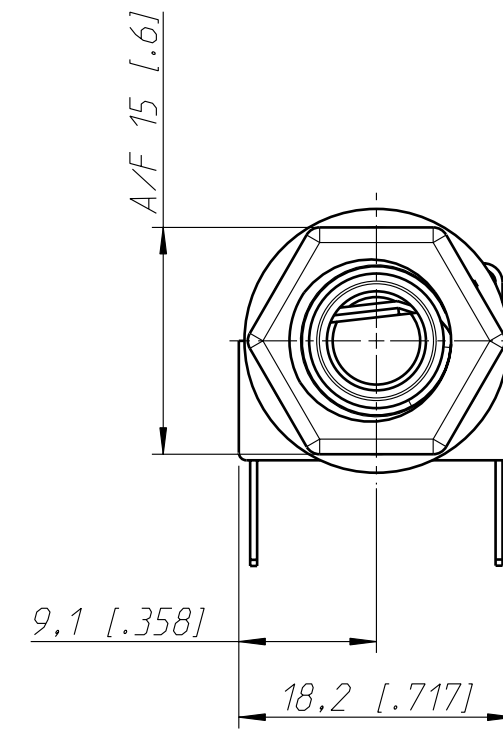
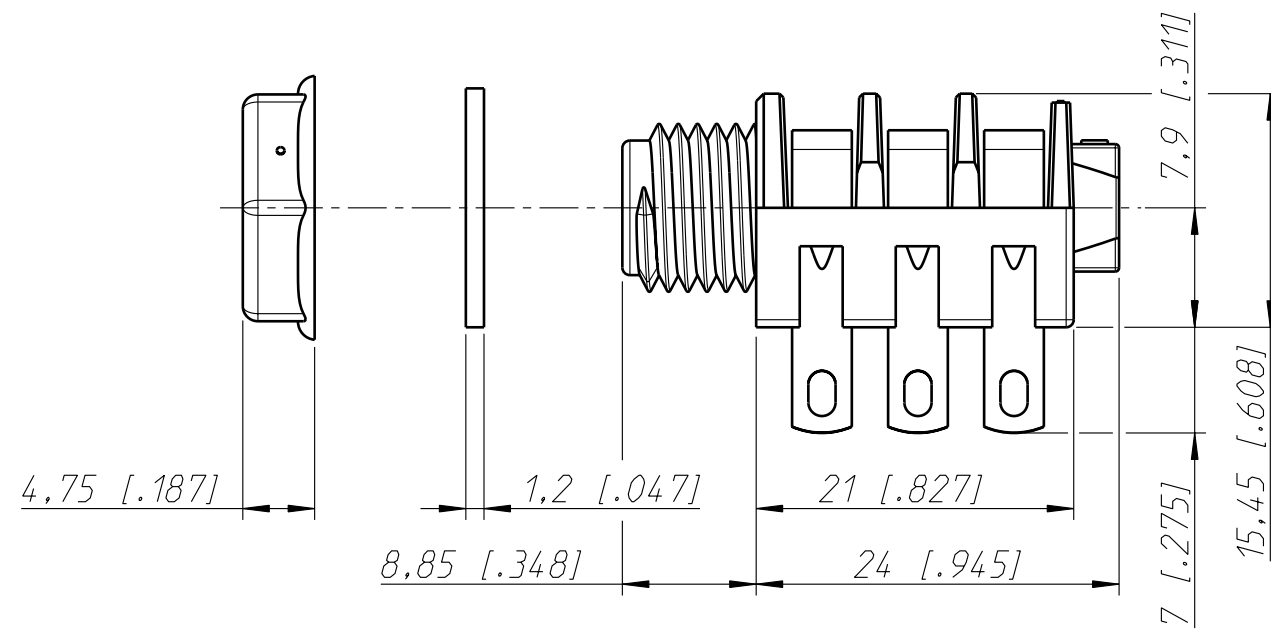
Insertion force	< 20 N
Withdrawal force	< 10 N
Lifetime	> 10000 mating cycles
Panel thickness	< 3 mm
Wiring	Horizontal PCB mount
Locking device	retention spring
Mounting direction	rear
Chassis shape	11.2 mm

Material

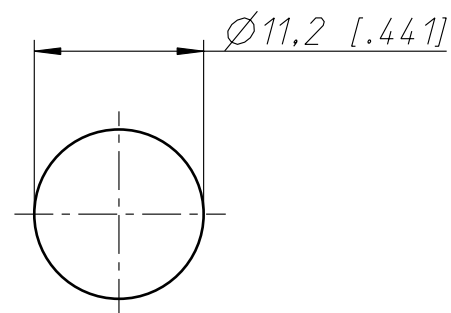
Cap / Nut / Washer	PA 6.6 15% GR
Contacts	Nickel-Silver
Shell	Polyamide (PA 6.6 15 % GR)

Environmental

Standard compliance	EIA RS 453, IEC 60603-11
Solderability	Complies with IEC 68-2-20
Temperature range	-25 °C to +70 °C



Frontplattenausschnitt (Rückseite)
Panel cut out (rear side)



Allgemeintoleranzen ISO 2768-m	Werkstoff KEIN_MAT	Massstab: 2:1 (A3)	Gezeichnet	Datum	Name
			Freigegeben	04.02.03	Ender
Zeichnung urheberrechtlich geschützt (DIN 34) (C)	-		Geändert	-	-
			Aend.-Nr.	-	Aend.-Index -
Benennung M Jack NMJ6HF-S			Ersatz fuer:	Blatt 1 von 1 Bl.	
NEUTRIK AG FL-9494 SCHAAN			Zeichn. Nr. ST-NMJ6HF-S		