

# Base strip - PTSM 0,5/ 4-HH-2,5-THR R32 - 1778641

Please be informed that the data shown in this PDF Document is generated from our Online Catalog. Please find the complete data in the user's documentation. Our General Terms of Use for Downloads are valid (<http://download.phoenixcontact.com>)



Header, Nominal current: 6 A, Rated voltage (III/2): 160 V, Number of positions: 4, Pitch: 2.5 mm, Color: Black, Contact surface: Tin, Assembly: SMD/THT/THR

## Product Features

- Compatible with PTSM.../PTPM... plugs
- 2.5 mm pitch
- High current carrying capacity of 6 A
- Supplied in tape-on-reel packing according to IEC 60286-3 for automated mounting
- Rugged solder anchor for secure, mechanical fixing to the surface
- Specifically designed for use in reflow and SMT processes

## Key commercial data

<b>package_quantity</b>	500
<b>GTIN</b>	4046356529822

## Technical data

### Dimensions

<b>Length</b>	7.5 mm
<b>Height</b>	5 mm
<b>Pitch</b>	2.5 mm
<b>Dimension a</b>	7.5 mm
<b>Pin dimensions</b>	0,6 x 0,6 mm
<b>Pin spacing</b>	2.50 mm
<b>Hole diameter</b>	1.1 mm

### General

<b>Range of articles</b>	PTSM 0,5/..-HH-THR
<b>Insulating material group</b>	IIIa
<b>Rated surge voltage (III/3)</b>	2.5 kV
<b>Rated surge voltage (III/2)</b>	2.5 kV
<b>Rated surge voltage (II/2)</b>	2.5 kV
<b>Rated voltage (III/3)</b>	50 V
<b>Rated voltage (III/2)</b>	160 V
<b>Rated voltage (II/2)</b>	160 V
<b>Connection in acc. with standard</b>	EN-VDE

# Base strip - PTSM 0,5/ 4-HH-2,5-THR R32 - 1778641

## Technical data

### General

Nominal current I <sub>N</sub>	6 A
Maximum load current	6 A
Insulating material	LCP
Inflammability class according to UL 94	V0
Color	Black
Number of positions	4

## classifications

### eCl@ss

eCl@ss 4.0	272607xx
eCl@ss 4.1	27260701
eCl@ss 5.0	27260701
eCl@ss 5.1	27260701
eCl@ss 6.0	27260704
eCl@ss 7.0	27440402
eCl@ss 8.0	27440402

### ETIM

ETIM 3.0	EC001121
ETIM 4.0	EC002637
ETIM 5.0	EC002637

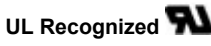
### UNSPSC

UNSPSC 6.01	30211810
UNSPSC 7.0901	39121409
UNSPSC 11	39121409
UNSPSC 12.01	39121409
UNSPSC 13.2	39121409

## approvals

UL Recognized / cUL Recognized / GOST / GOST / UL Recognized / cULus Recognized /

### Approval details

	
<b>Usegroups</b>	<b>B</b>
Nominal voltage UN	150 V
Nominal current IN	6 A
mm <sup>2</sup> /AWG/kcmil	

# Base strip - PTSM 0,5/ 4-HH-2,5-THR R32 - 1778641

approvals

cUL Recognized	
<b>Usegroups</b>	<b>B</b>
Nominal voltage UN	150 V
Nominal current IN	6 A
mm <sup>2</sup> /AWG/kcmil	

GOST
------

--

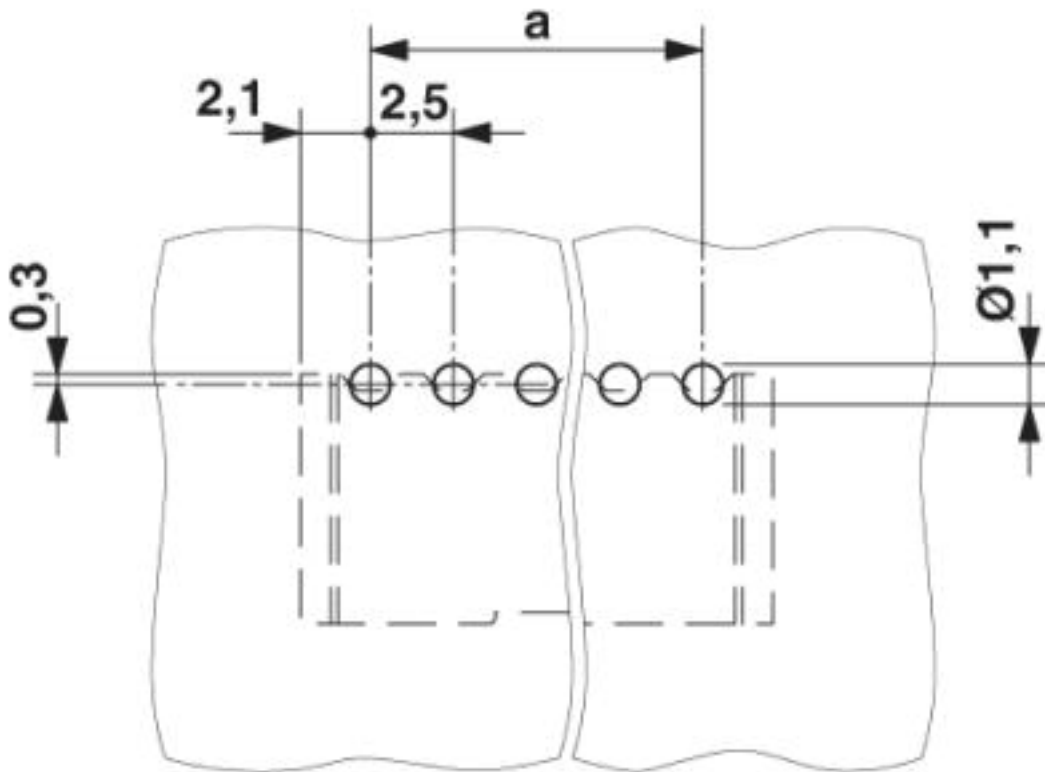
<b>Usegroups</b>	<b>B</b>
Nominal voltage UN	150 V
Nominal current IN	5 A
mm <sup>2</sup> /AWG/kcmil	

cULus Recognized	
------------------	--

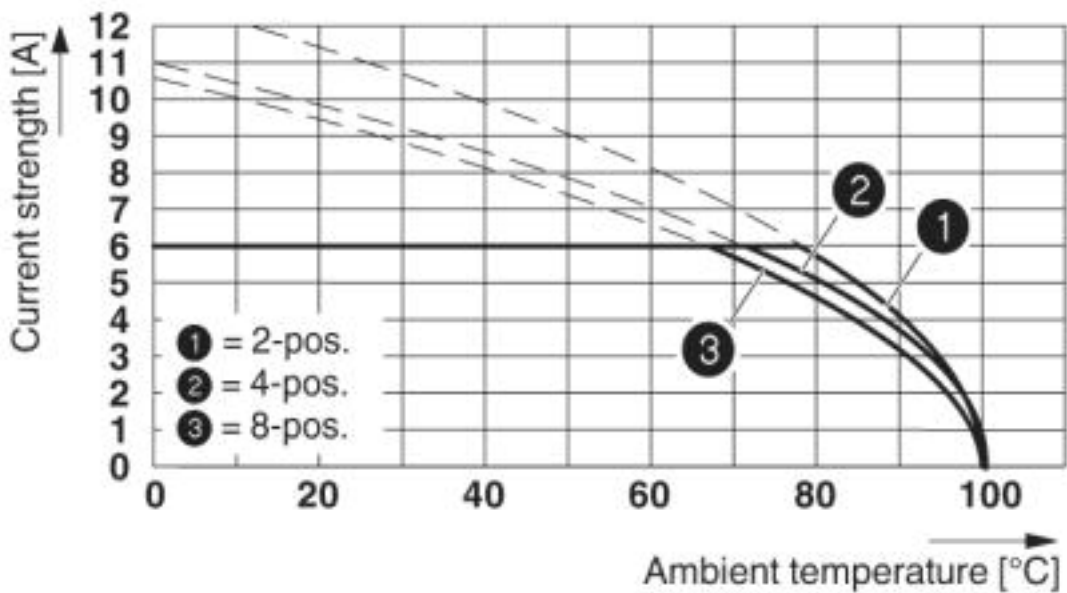
Drawings

# Base strip - PTSM 0,5/ 4-HH-2,5-THR R32 - 1778641

Drilling diagram



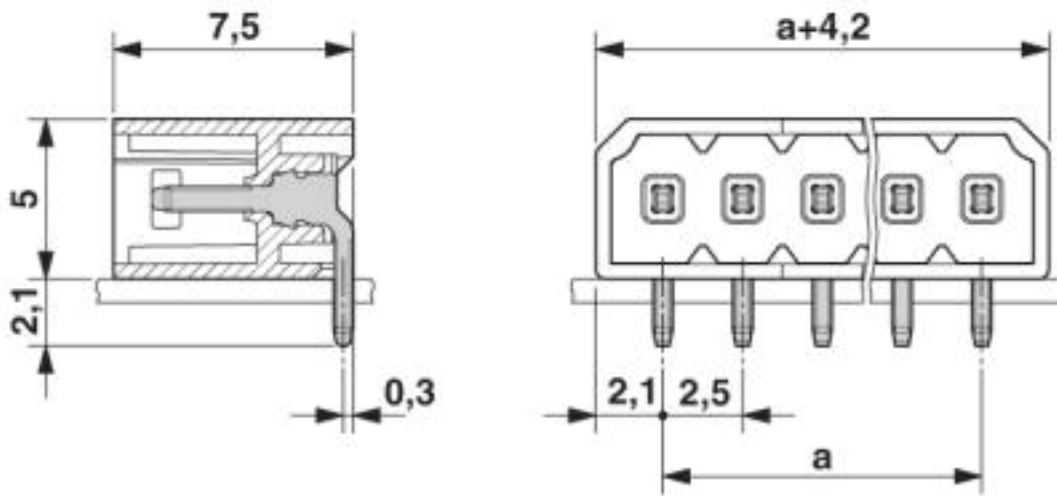
Diagram



Derating curve for: PTSM 0,5/...P-2,5 with PTSM 0,5/...HH-2,5-THR R..

# Base strip - PTSM 0,5/ 4-HH-2,5-THR R32 - 1778641

Dimensioned drawing



# Base strip - PTSM 0,5/ 4-HH-2,5-THR R32 - 1778641

Dimensioned drawing

