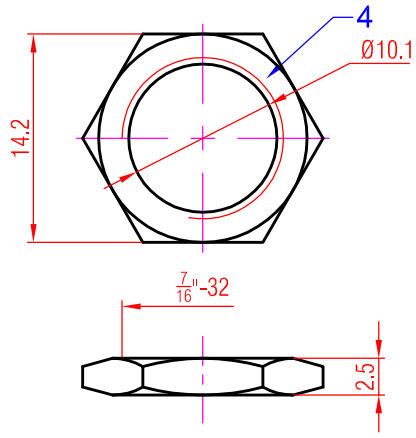
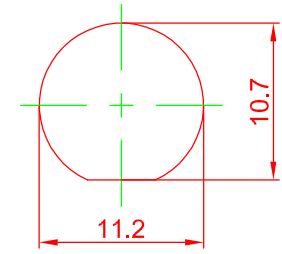
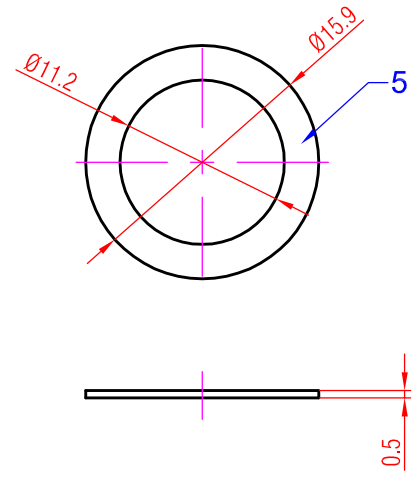


NUT



WASHER



PANEL CUTOUT

CONTACT LAYOUT

5	WASHER	IRON SHEET, NICKEL PLATED
4	NUT	BRASS, NICKEL PLATED
3	PIN CONTACT	BRASS, GOLD PLATED
2	PLASTIC INSERT	PA66 + GF30% (HEAT STABILIZED)
1	HOUSING	ZINC ALLOY, NICKEL PLATED
NO	PART NAME	MATERIAL

Rev.	Revision Details	Date	Name	THIS DOCUMENT IS THE PROPERTY OF NEUTRIK. NO PART THEREOF MAY BE REPRODUCED AND USED WITHOUT THE PRIOR WRITTEN CONSENT OF THE OWNER	Material:	Scale:  2 : 1	Date:	Name:	
							Designer:	2014.01.13	Wang XN
							Checked:	2014.01.13	Abraham
							Approved:		
				Title:	RT*MP		Replaced By:	1	
						Replaces:	1		
						Drawing No.:			