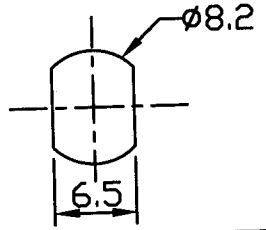
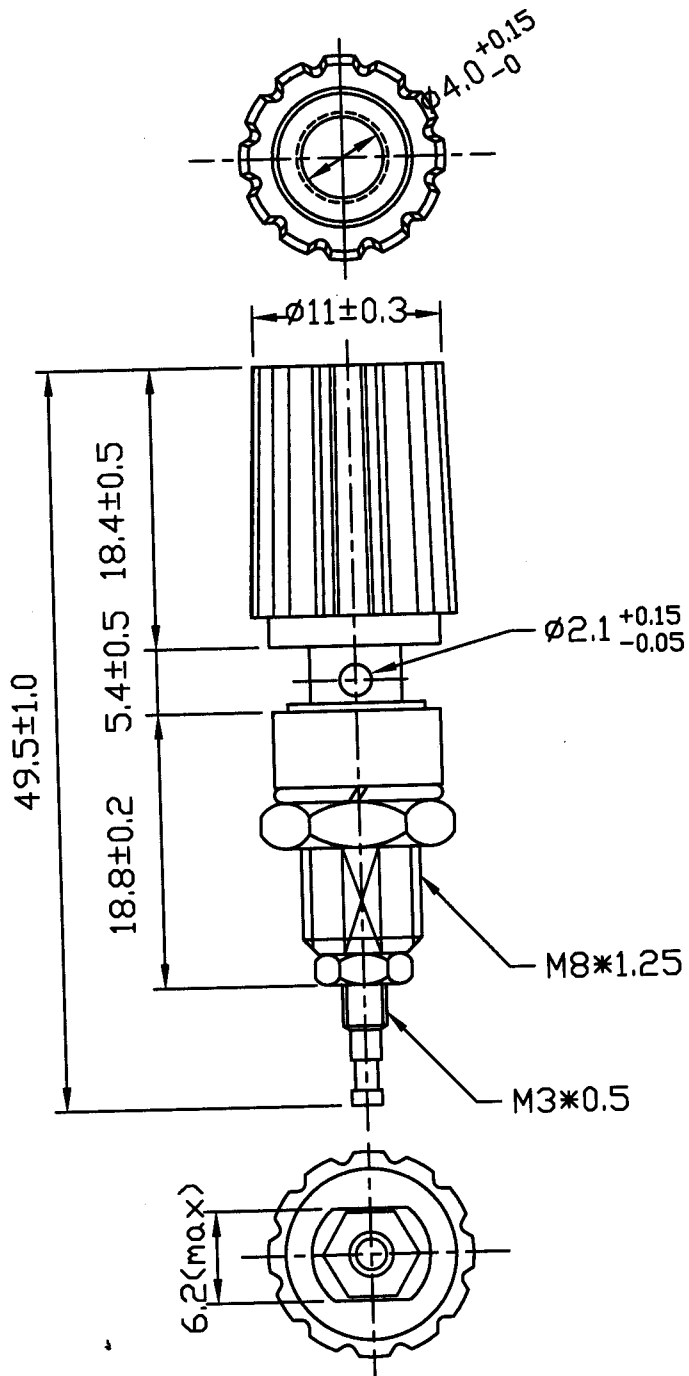
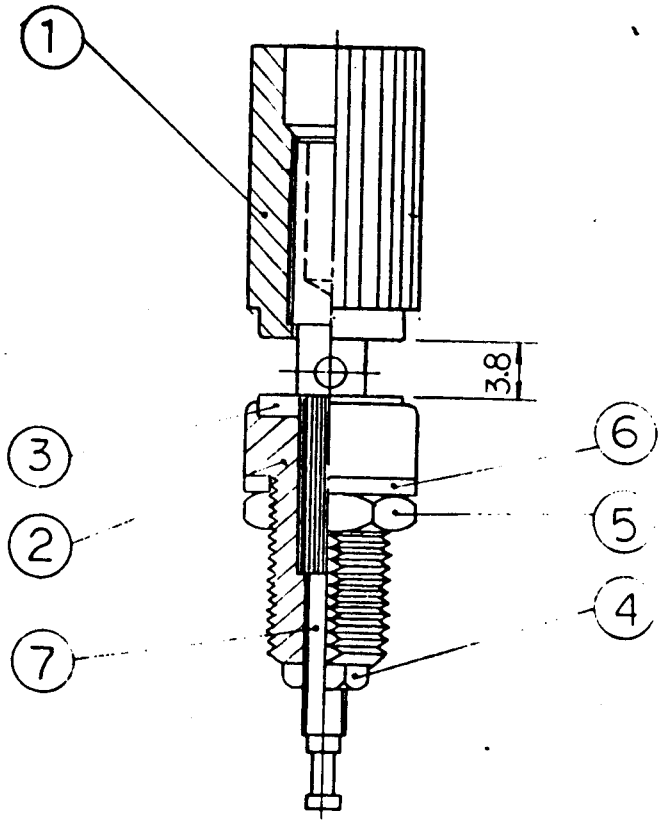


Rating	10A 125V AC	Mount Hole 
Contact R	50m ohm Max	
Insulation R	DC 500V 100M ohm Min.	
Dielectric Strength	AC 1000V 1 minute	



C1\WK12\R1\R1-9-0

△	11/12/01	張曉斌	圖面整合修改				
△	Date	Name	Descriptions				
Drawing	Check	Approval	SCI No.	Model Name			
張曉斌	李作山	研發部	Customer No.	Model No.	R1-9		
11/12/01	11/13/01	李景雄	Unit	mm	SHIN CHIN INDUSTRIAL CO., LTD.		



7	Bushing	1	Copper Alloy			
6	Washer Spring	1	SWRH	t=1.0±0.05	Ni-Plating	
5	Hexagon Nut	1	Copper Alloy	t=3.0	Ni-Plating	
4	Contact Strip	1	Copper Alloy	t=2.0	Ni-Plating	
3	Washer Locking	1	Copper Alloy	t=1.0	Ni-Plating	
2	Housing Down	1	Nylon#6			
1	Housing Up	1	PA6			
No	Description	Q'ty	Material	Spec	Finish	Remark

Spec-No.	R1-9		No.	Note	Date	Name
Date						
Drawing	Check	Approval				
9/18/11		8/12/97				