

Base strip - PTSM 0,5/ 3-HV-2,5-THR R32 - 1778560

Please be informed that the data shown in this PDF Document is generated from our Online Catalog. Please find the complete data in the user's documentation. Our General Terms of Use for Downloads are valid (<http://download.phoenixcontact.com>)



Header, Nominal current: 6 A, Rated voltage (III/2): 160 V, Number of positions: 3, Pitch: 2.5 mm, Color: Black, Contact surface: Tin, Assembly: SMD/THT/THR

Product Features

- Compatible with PTSM.../PTPM... plugs
- 2.5 mm pitch
- High current carrying capacity of 6 A
- Supplied in tape-on-reel packing according to IEC 60286-3 for automated mounting
- Rugged solder anchor for secure, mechanical fixing to the surface
- Specifically designed for use in reflow and SMT processes

Key commercial data

| | |
|-------------------------|---------------|
| package_quantity | 330 |
| GTIN | 4046356529730 |

Technical data

Dimensions

| | |
|-----------------------|--------------|
| Length | 5 mm |
| Height | 7.5 mm |
| Pitch | 2.5 mm |
| Dimension a | 5 mm |
| Pin dimensions | 0,6 x 0,6 mm |
| Pin spacing | 2.50 mm |
| Hole diameter | 1.1 mm |

General

| | |
|---|--------------------|
| Range of articles | PTSM 0,5/..-HV-THR |
| Insulating material group | IIIa |
| Rated surge voltage (III/3) | 2.5 kV |
| Rated surge voltage (III/2) | 2.5 kV |
| Rated surge voltage (II/2) | 2.5 kV |
| Rated voltage (III/3) | 50 V |
| Rated voltage (III/2) | 160 V |
| Rated voltage (II/2) | 160 V |
| Connection in acc. with standard | EN-VDE |

Base strip - PTSM 0,5/ 3-HV-2,5-THR R32 - 1778560

Technical data

General

| | |
|---|-------|
| Nominal current I _N | 6 A |
| Maximum load current | 6 A |
| Insulating material | LCP |
| Inflammability class according to UL 94 | V0 |
| Color | Black |
| Number of positions | 3 |

classifications

eCl@ss

| | |
|------------|----------|
| eCl@ss 4.0 | 272607xx |
| eCl@ss 4.1 | 27260701 |
| eCl@ss 5.0 | 27260701 |
| eCl@ss 5.1 | 27260701 |
| eCl@ss 6.0 | 27260704 |
| eCl@ss 7.0 | 27440402 |
| eCl@ss 8.0 | 27440402 |

ETIM

| | |
|----------|----------|
| ETIM 3.0 | EC001121 |
| ETIM 4.0 | EC002637 |
| ETIM 5.0 | EC002637 |


UNSPSC

| | |
|---------------|----------|
| UNSPSC 6.01 | 30211810 |
| UNSPSC 7.0901 | 39121409 |
| UNSPSC 11 | 39121409 |
| UNSPSC 12.01 | 39121409 |
| UNSPSC 13.2 | 39121409 |

approvals

UL Recognized / cUL Recognized / GOST / GOST / UL Recognized / cULus Recognized /

Approval details

| | |
|---|----------|
|  | |
| Usegroups | B |
| Nominal voltage UN | 150 V |
| Nominal current IN | 6 A |
| mm ² /AWG/kcmil | |

Base strip - PTSM 0,5/ 3-HV-2,5-THR R32 - 1778560

approvals

| cUL Recognized | |
|----------------------------|-------|
| Usegroups | B |
| Nominal voltage UN | 150 V |
| Nominal current IN | 6 A |
| mm ² /AWG/kcmil | |

| |
|------|
| GOST |
|------|

| |
|--|
| |
|--|

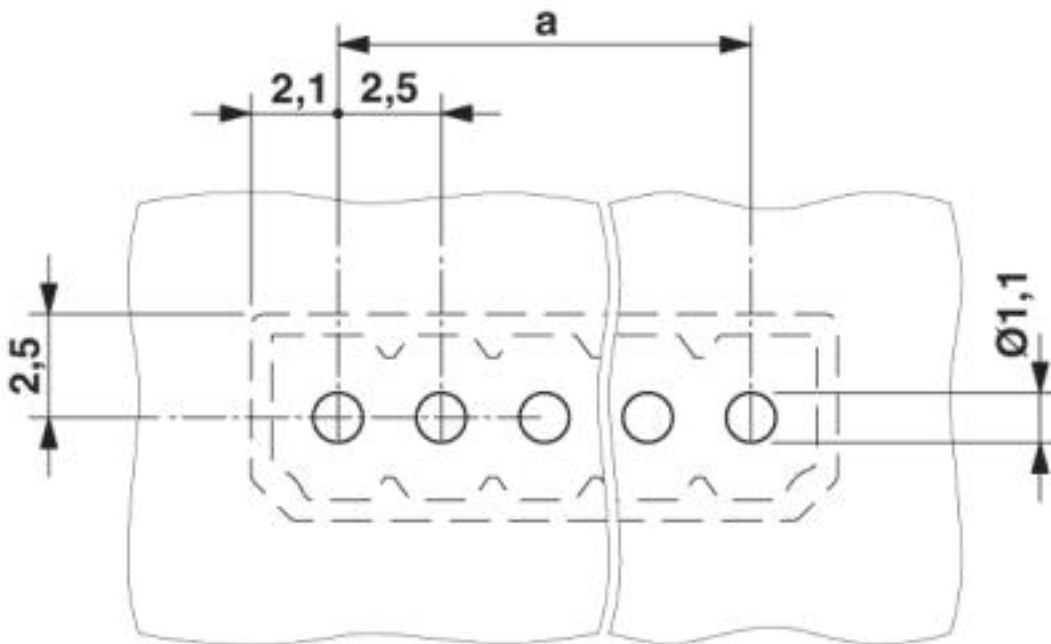
| Usegroups | B |
|----------------------------|-------|
| Nominal voltage UN | 150 V |
| Nominal current IN | 5 A |
| mm ² /AWG/kcmil | |

| | |
|------------------|--|
| cULus Recognized | |
|------------------|--|

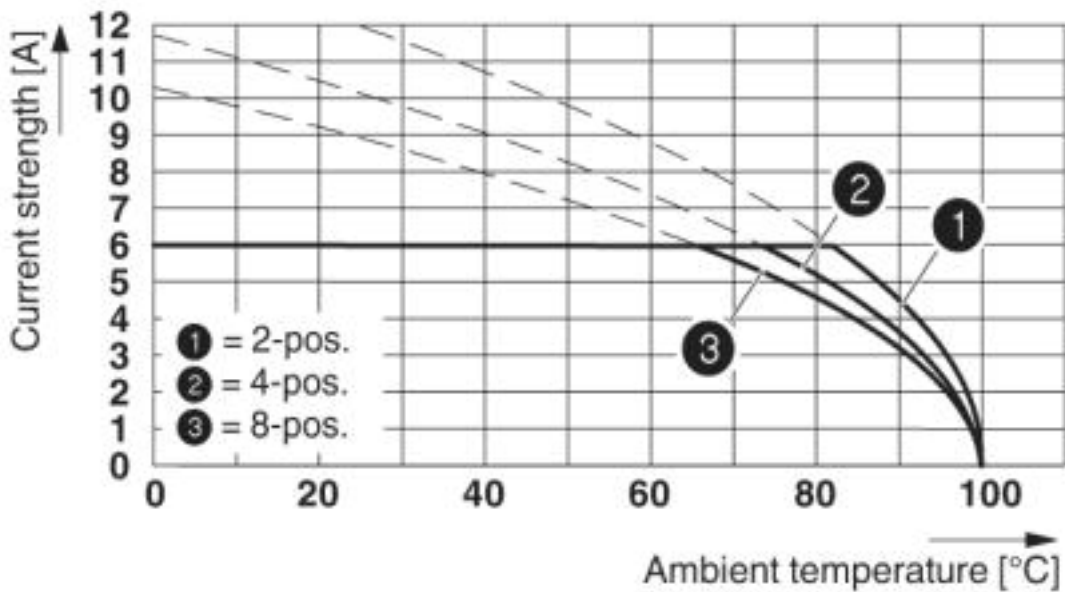
Drawings

Base strip - PTSM 0,5/ 3-HV-2,5-THR R32 - 1778560

Drilling diagram



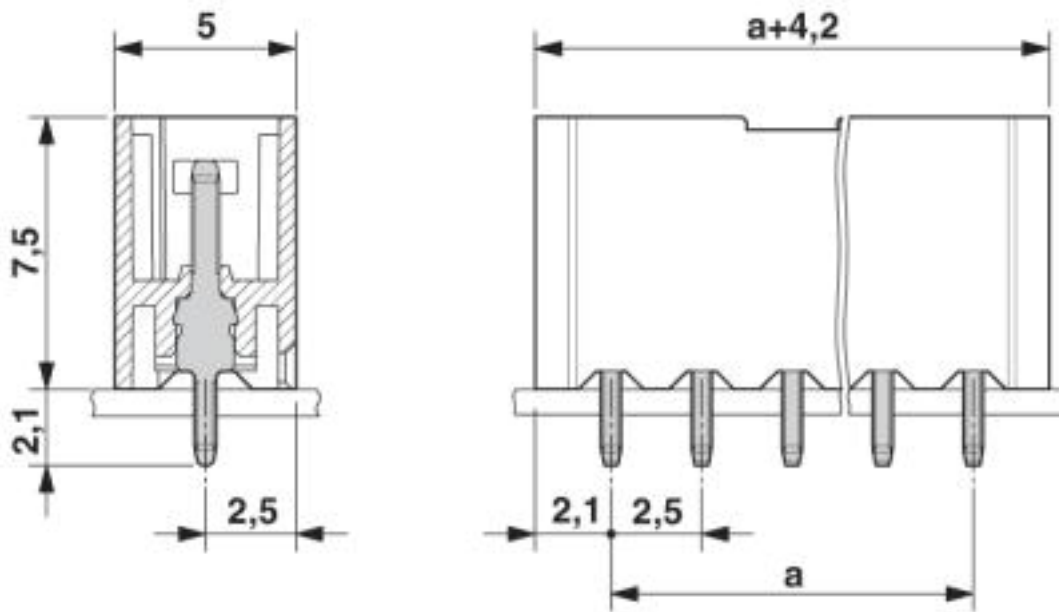
Diagram



Derating curve for: PTSM 0,5/...-P-2,5 with PTSM 0,5/...-HV-2,5-THR R...

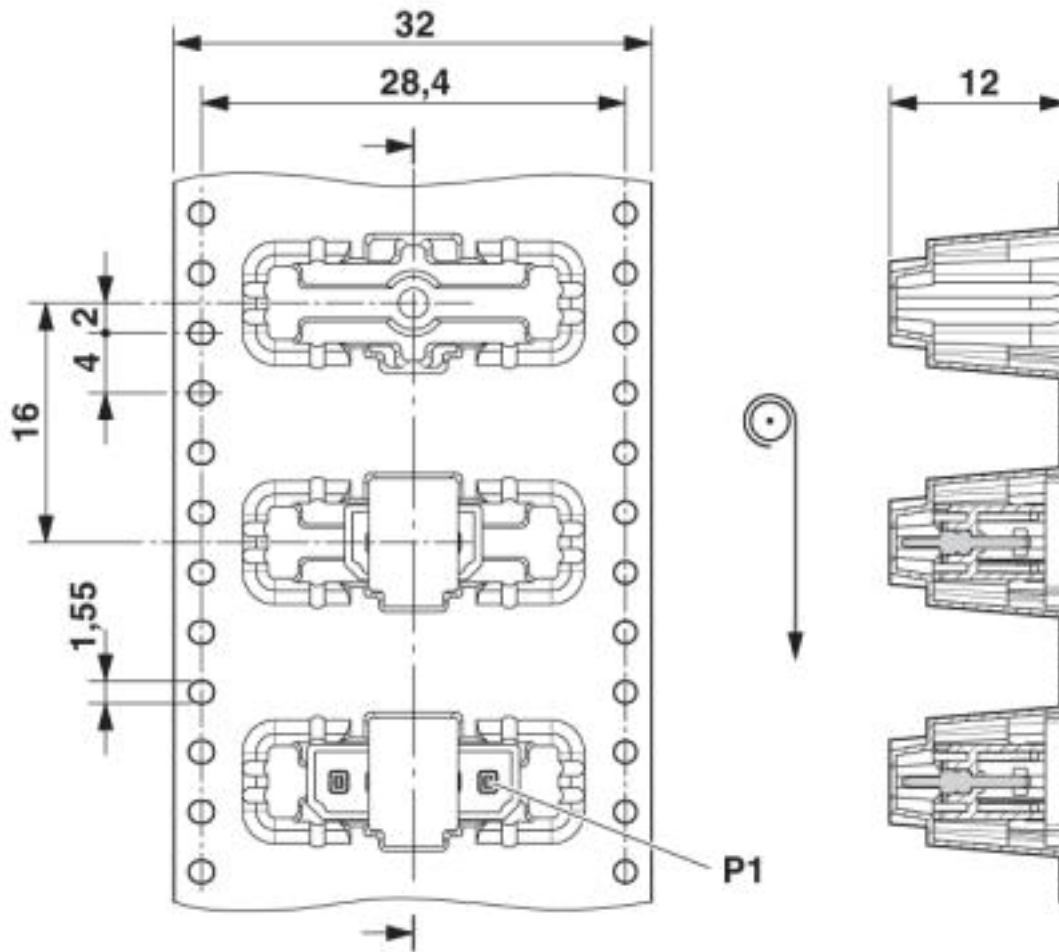
Base strip - PTSM 0,5/ 3-HV-2,5-THR R32 - 1778560

Dimensioned drawing



Base strip - PTSM 0,5/ 3-HV-2,5-THR R32 - 1778560

Dimensioned drawing



© Phoenix Contact 2013 - all rights reserved
<http://www.phoenixcontact.com>