

**PIN HEADER 2,54mm**  
ID: 087

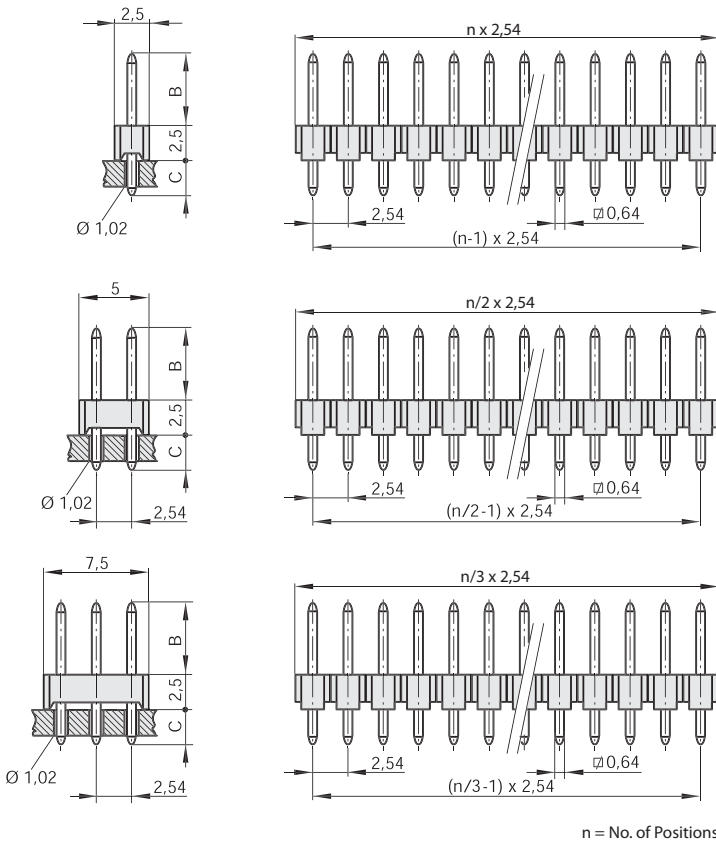
**standard insulator**  
STL 1-XXXXG / STL 2-XXXXG / STL 3-XXXXG

Series 400

**TECHNICAL DATA**

Pitch	2,54 mm
Insulating Material	high temp. thermoplast UL94V-0
Contact Material	copper alloy
Rated Current	3 Amp.
Rated Voltage	150 V <sub>RMS</sub> /V <sub>DC</sub>
Withstanding Voltage	500 V <sub>AC</sub> for one minute
Operating Temperature	-40°C to +105°C
Maximum Soldering Temperature	260°C for 10 seconds

7 | 2,54 mm



Code	Dimensions	
	B	C
1020	5,20	2,50
1080	5,80	2,50
1130	5,50	3,30
1160	6,00	3,00
1260	6,80	3,30
1390	8,20	3,30
1470	9,00	3,30
1650	10,70	3,30
1770	12,10	3,30
1980	14,00	3,30
2160	15,80	3,30
2280	17,00	3,30
2490	19,10	3,30
Custom		

All dimensions in mm.  
Other dimensions upon request.

**STL X - XXXX G XX - XXX U**

<p>Rows: 1 = 1 rows 2 = 2 rows 3 = 3 rows</p> <p>Code: see table</p> <p>G: straight contacts</p> <p>Plating: TT = Sn GT = Sel. Au GG = Au</p>	<p>U: Pins: 1 row: 1 - 50 contacts 2 rows: 2 - 100 contacts 3 rows: 3 - 120 contacts</p>
---	--