

# RJ45 connector - VS-08-RJ45-10G/Q - 1419001

Please be informed that the data shown in this PDF Document is generated from our Online Catalog. Please find the complete data in the user's documentation. Our General Terms of Use for Downloads are valid (<http://download.phoenixcontact.com>)



RJ45 connector, IP20, CAT6<sub>A</sub>, 8-pos., with QUICKON fast connection technology, for 26 ... 24 AWG 1-wire and 7-wire conductors, color: black



## Key commercial data

|                  |               |
|------------------|---------------|
| package_quantity | 1             |
| GTIN             | 4046356521567 |

## Technical data

### Mechanical characteristics

|                              |  |
|------------------------------|--|
| Number of positions          | 8  |
| Connection profile           | RJ45 8(8)  |
| Shielded                     | Yes  |
| Insertion/withdrawal cycles  | ≥ 750  |
| Connection method            | IDC fast connection                                    |
| Conductor cross section      | 0.13 mm <sup>2</sup> ... 0.21 mm <sup>2</sup> (solid)  |
| Conductor cross section      | 0.14 mm <sup>2</sup> ... 0.23 mm <sup>2</sup> (7-wire) |
| Connection cross section AWG | 26 ... 24 (solid)                                      |
| Connection cross section AWG | 26 ... 24 (7-wire)                                     |
| Max. cable diameter          | 4.5 mm ... 8 mm  |
| External cable diameter      | 4.5 mm ... 8 mm  |
| Cable exit                   | Straight   |
| Color                        | yellow   |

### Ambient conditions

|                                 |                  |
|---------------------------------|------------------|
| Ambient temperature (operation) | -20 °C ... 70 °C |
| Degree of protection            | IP20             |

### Material data

|   |        |
|---|--------|
| Inflammability class according to UL 94 | V2     |
| Housing material                        | PA 6.6 |
| Contact carrier material                | PC     |
| Contact material                        | CuSn   |

# RJ45 connector - VS-08-RJ45-10G/Q - 1419001

## Technical data

### Material data

|                                 |                  |
|---------------------------------|------------------|
| <b>Contact surface material</b> | Gold over nickel |
|---------------------------------|------------------|

### Electrical characteristics

|  |   |
|--|---|
| <b>Number of positions</b>                     | 8   |
| <b>Nominal voltage U<sub>N</sub></b>           | 50 V  |
| <b>Nominal current I<sub>N</sub></b>           | 1.75 A  |
| <b>Transmission characteristics (category)</b> | CAT6 <sub>A</sub> (IEC 60512-27-100:2008, TIA-568-C.2:2009) |
| <b>Rated current</b>                           | 1.75 A  |
| <b>Surge voltage category</b>                  | I   |
| <b>Pollution degree</b>                        | 2   |

## classifications

### eCl@ss

|                   |          |
|-------------------|----------|
| <b>eCl@ss 4.0</b> | 27140816 |
| <b>eCl@ss 4.1</b> | 27260701 |
| <b>eCl@ss 5.0</b> | 27260701 |
| <b>eCl@ss 5.1</b> | 27260701 |
| <b>eCl@ss 6.0</b> | 27260705 |
| <b>eCl@ss 7.0</b> | 27440309 |
| <b>eCl@ss 8.0</b> | 27440309 |

### ETIM

|                 |          |
|-----------------|----------|
| <b>ETIM 2.0</b> | EC000764 |
| <b>ETIM 3.0</b> | EC001121 |
| <b>ETIM 4.0</b> | EC002641 |
| <b>ETIM 5.0</b> | EC002641 |

### UNSPSC

|                      |          |
|----------------------|----------|
| <b>UNSPSC 6.01</b>   | 30211824 |
| <b>UNSPSC 7.0901</b> | 31261501 |
| <b>UNSPSC 11</b>     | 31261501 |
| <b>UNSPSC 12.01</b>  | 31261501 |
| <b>UNSPSC 13.2</b>   | 31261501 |

## accessories

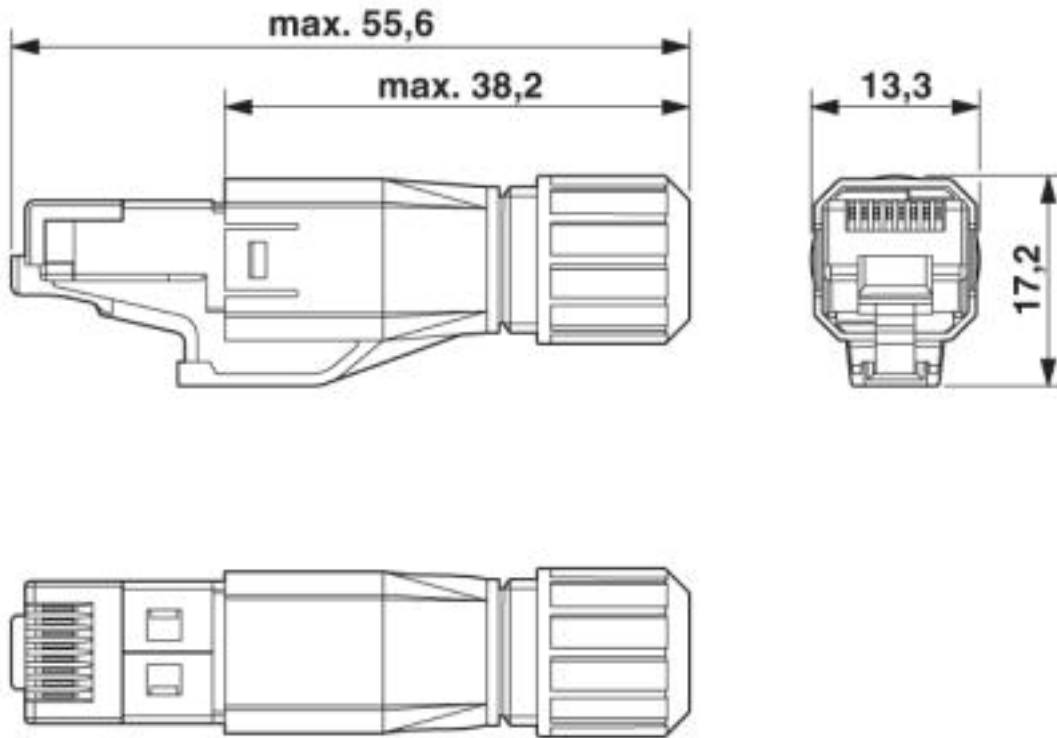
VS-CABLE-STRIP-VARIO - 1657407



# RJ45 connector - VS-08-RJ45-10G/Q - 1419001

## Drawings

Dimensioned drawing



RJ45 connector, IP20

© Phoenix Contact 2013 - all rights reserved  
<http://www.phoenixcontact.com>