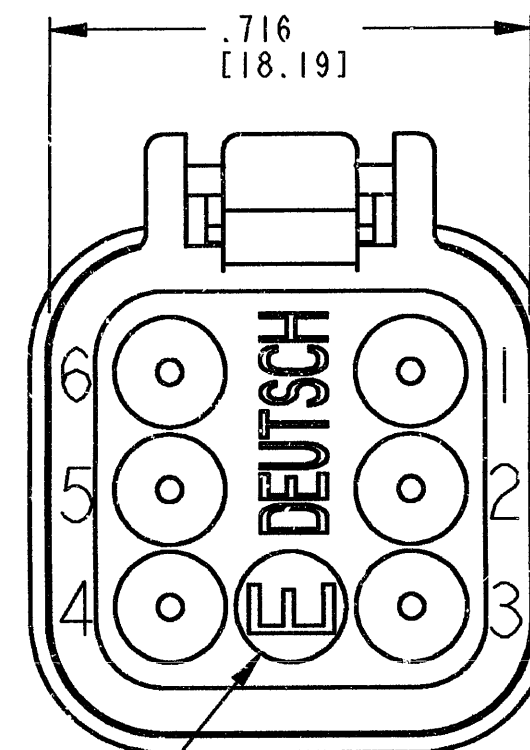
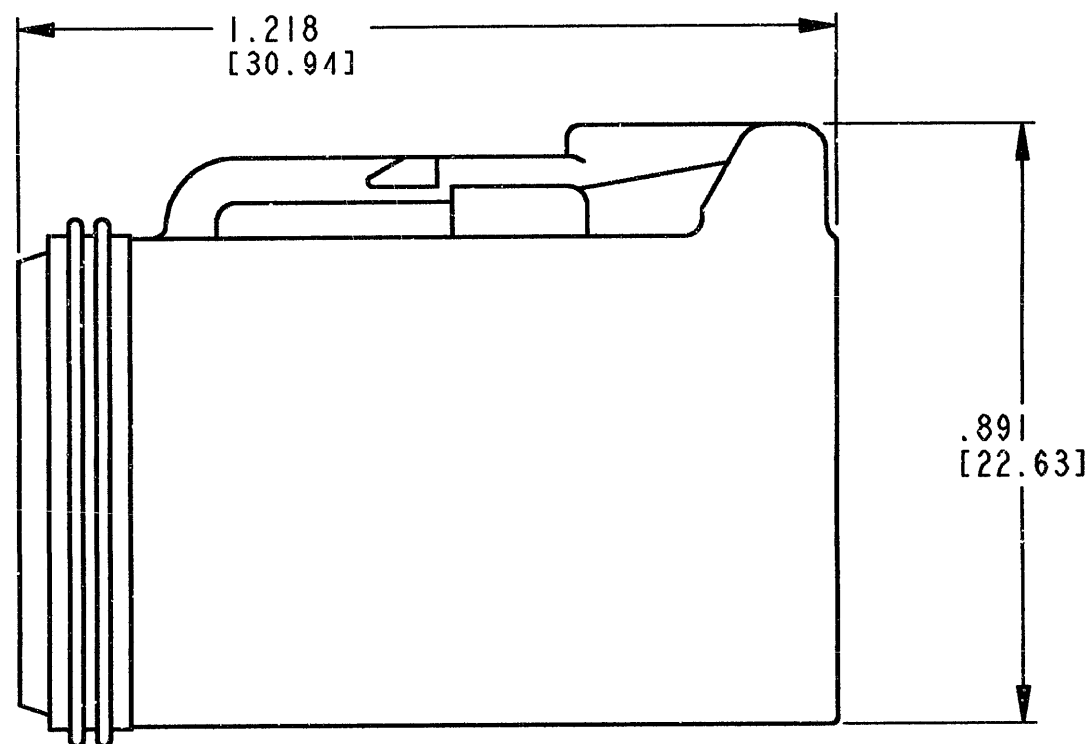
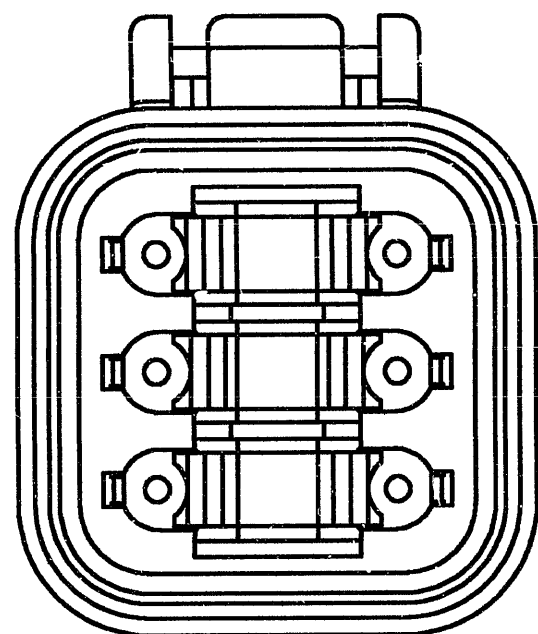


CONTACT SIZE	MIN. INSUL O.D.	MAX. INSUL O.D.	WIRE RANGE [mm ²]
16	.053 [1.35]	.120 [3.05]	14-20 AWG [2.0-0.5]

REV A DT06-6S-CE06

REVISIONS			
SYM	DESCRIPTION	DATE	APPROVED
NC	NEW RELEASE PER E.O. PI5980	3/31/99	R.D.R
A	REVISED PER E.O. PI8362	10-29-03	RDR



DESIGNATES -E- WIRE SEALS

- NOTES:
1. ALL DIMENSIONS ARE INCHES (MILLIMETERS).
 2. ALL DIMENSIONS ARE ±.025 [0.63] UNLESS OTHERWISE SPECIFIED.
 3. CONSULT FACTORY FOR SPECIFICATIONS AND APPLICATION.
 4. FOR MORE INFO. SEE ENVELOPE DRAWING 0425-017-0000 AND 0425-015-0000.
 5. THIS PLUG MATES WITH THE DT04-6P-**** RECEPTACLE (**** = ALL MODIFICATIONS).

SIGNATURE & DATE	
DR	D. SPENCER 18MAR99
CHK	<i>Jamil L. Asrat</i> 10/29/03
PE	<i>Teofilo Yelaman</i> 10/23/05
APPD	<i>Spencer</i> 10-29-03
SCALE	3.5:1 WT

6 WAY PLUG
CE06 MOD.
DT SERIES

ENVELOPE

CP	MATL. CODE
The Deutsch Company DEUTSCH I.P.D. 3850 INDUSTRIAL AVE. HEMET, CALIF. 92545	
B	DT06-6S-CE06
DWG SIZE	CODE 11139 SHEET OF