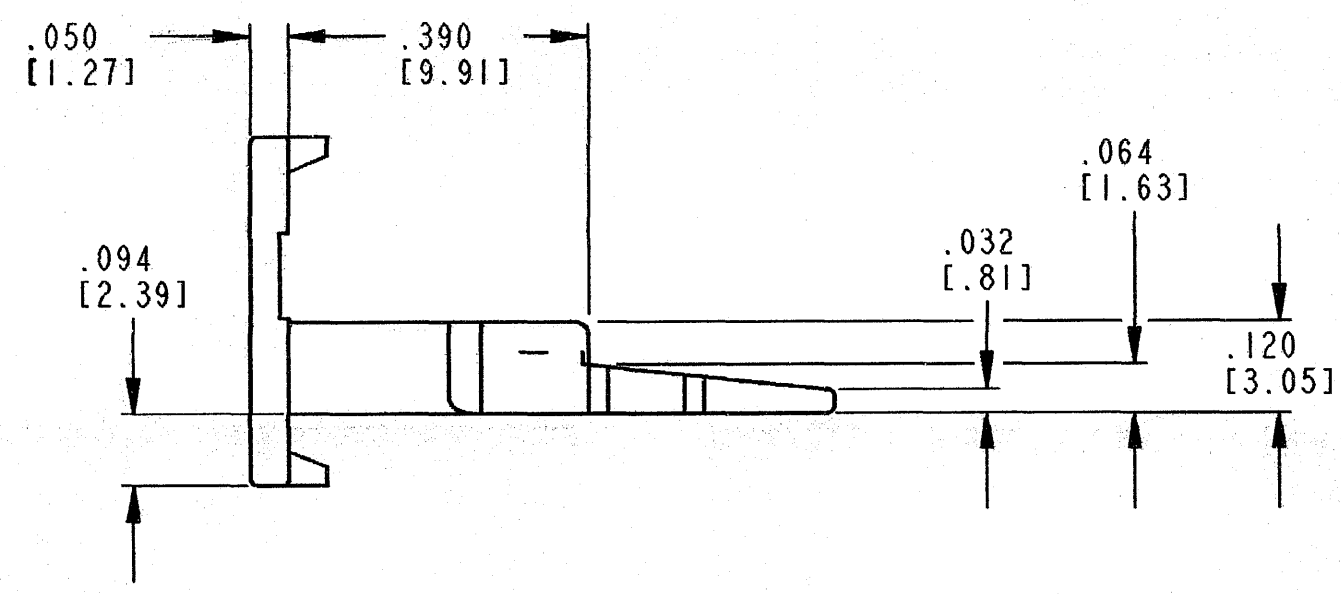
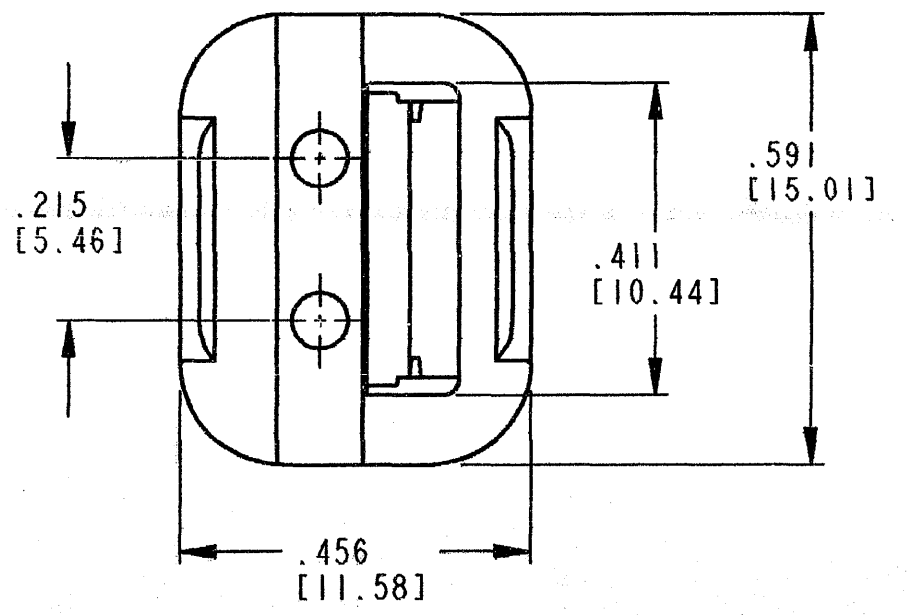
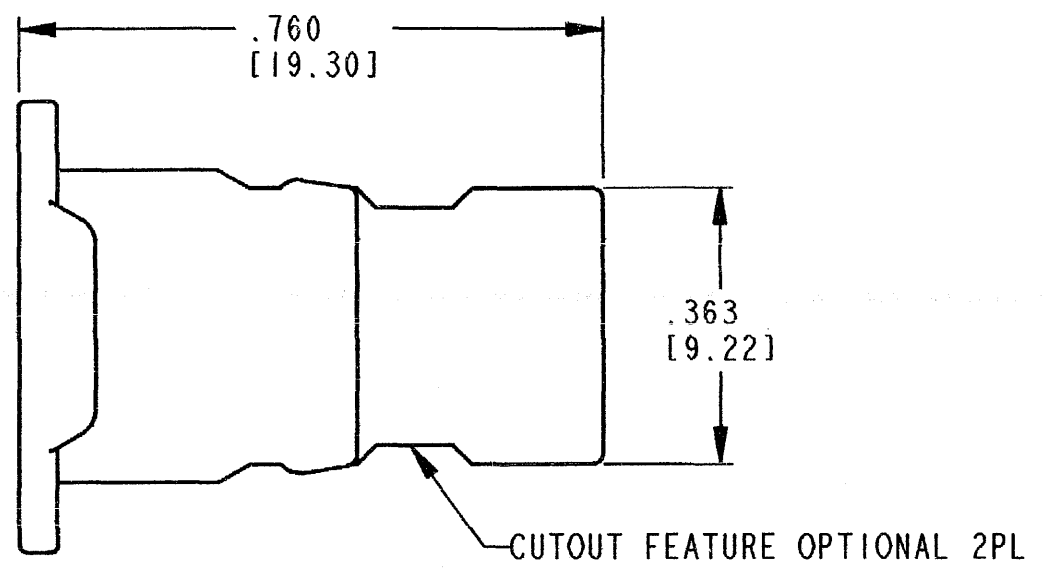
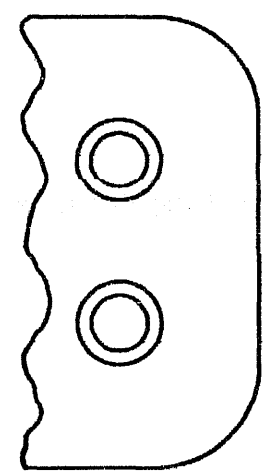


REV  
E      W2S-P012

REVISIONS			
SYM	DESCRIPTION	DATE	APPROVED
B	REVISED PER E.O. P17971	12/31/02	R.D.R.
C	REVISED PER E.O. P18246	8/22/03	R.D.R.
D	REVISED PER E.O. P19116	12/1/05	R.D.R.
E	REVISED PER E.O. P19410	12-1-06	RDR




- NOTES:
1. ALL DIMENSIONS ARE IN INCHES [MILLIMETERS].
  2. ALL DIMENSIONS ARE  $\pm .025$  [.64] UNLESS OTHERWISE SPECIFIED.
  3. CONSULT FACTORY FOR APPLICATION.
  4. WEDGE TO BE USED WITH DT06-2S\*-P012 PLUG ONLY.

SIGNATURE & DATE	
DR	J. WOODY 8/12/98
CHK	<i>Jami C. Spotal</i> 11/22/06
PE	<i>R. Mowbray</i> 11/10/06
APPD	<i>S. Bend</i> 11-10-06
SCALE	NONE WT _____

WEDGE LOCK  
FOR  
2 CONT. PLUG  
COLOR: GREEN  
DT SERIES

ENVELOPE

EP	MATL. CODE
<b>The Deutch Company</b>  DEUTSCH I.P.D. 3850 INDUSTRIAL AVE. HEMET, CALIF. 92545	
<b>B</b>	<b>W2S-P012</b>
DWG SIZE	CODE 11139 SHEET   OF