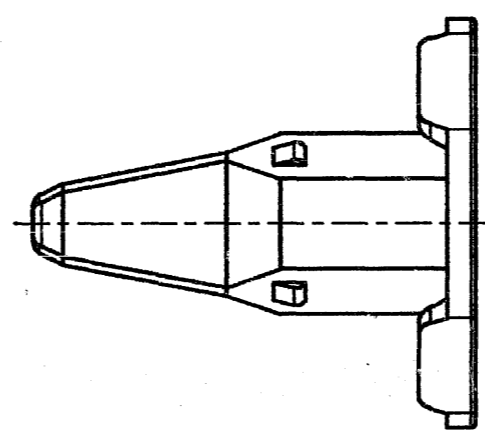
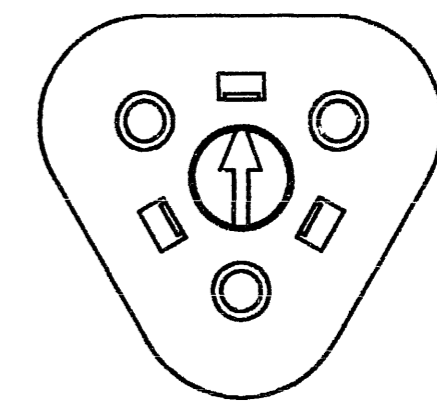
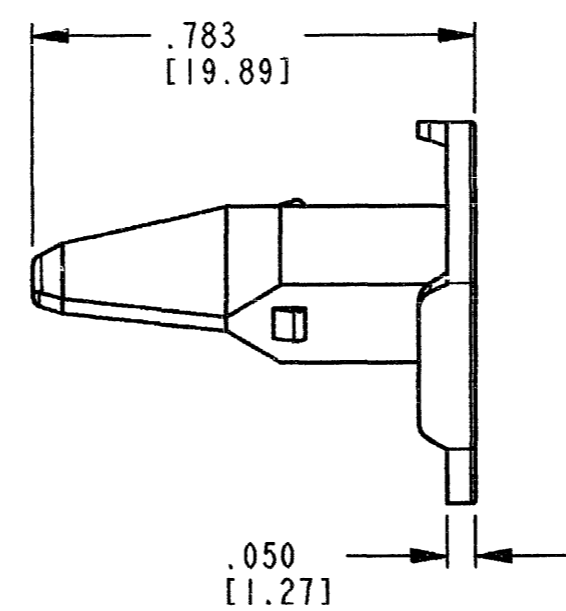
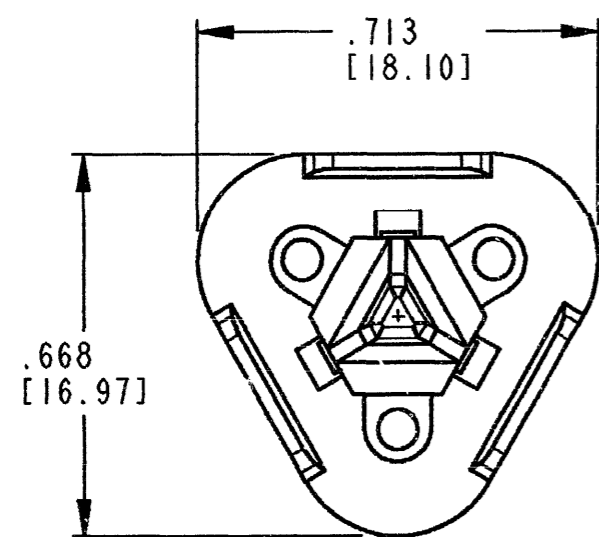


REV
B W3S-P012

REVISIONS			
SYM	DESCRIPTION	DATE	APPROVED
NC	NEW RELEASE PER E.O. P15811	11-3-98	RDR
A	REVISED PER E.O. P18246	8/22/03	R.D.R
B	REVISED PER E.O. P19114	11-29-05	RDR
		12-1-05	



- 5. THIS PART MATES WITH DT06-3S-P012.
- 4. COLOR OF MATERIAL: GREEN.
- 3. CONSULT FACTORY FOR APPLICATION.
- 2. ALL DIMENSIONS ARE ±.025 [1.64] UNLESS OTHERWISE SPECIFIED.

NOTES: 1. ALL DIMENSIONS ARE IN INCHES [MILLIMETERS].

SIGNATURE & DATE	
DR	R. OCHOA 10/14/98
CHK	[Signature] 12/01/05
PE	[Signature] 11/29/05
APPD	[Signature] 11-29-05
SCALE	NONE
WT	

WEDGE LOCK
FOR
3-PIN PLUG
D.T. SERIES

ENVELOPE

CP	MATL. CODE
The Deutsch Company DEUTSCH I.P.D. 3850 INDUSTRIAL AVE. HEMET, CALIF. 92545	
B	W3S-P012
DWG SIZE	CODE 11139 SHEET OF