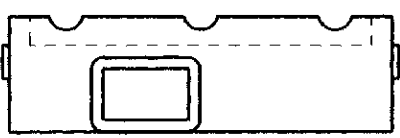
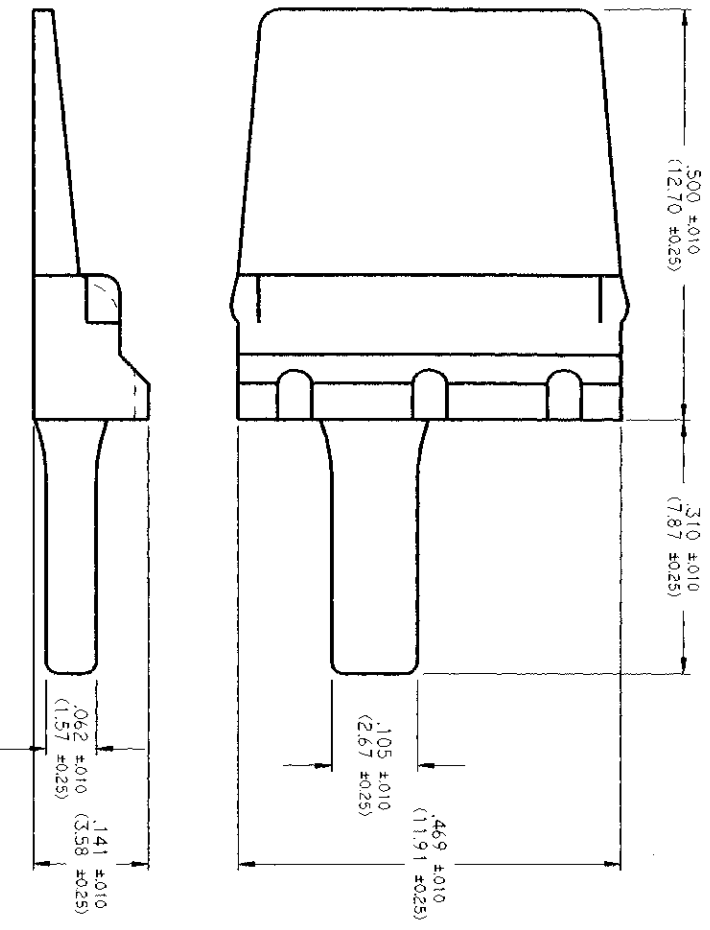


REV WM - 3P

REVISIONS

REV	SYM	DESCRIPTION	DATE	APPROVED
NC		NEW RELEASE PER E.O. 114914	10-27-85	ADD



- NOTES:
1. DIMENSIONS ARE IN INCHES (METRIC).
  2. DIMENSIONS ARE FOR REFERENCE ONLY.
  3. THIS PART MATES WITH DTM04-3P RECEPTACLE.
  4. COLOR = ORANGE.

SIGNATURE & DATE	
DR	V. TOMSA OCT-20-95
CHK	<i>[Signature]</i> 10/23/95
PE	<i>[Signature]</i> 10/23/95
APPD	<i>[Signature]</i> 10/23/95
SCALE	8:1
WT	

WEDGE LOCK FOR  
3 PIN RECEPT.  
HOUSING  
DTM SERIES  
ENVELOPE

CP	MAT. CODE
DEUTSCH I/P.D. 3140 INDUSTRIAL AVE. HEWLET, CALIF. 92043	
	WM - 3P CODE % SHEET 1 OF 1