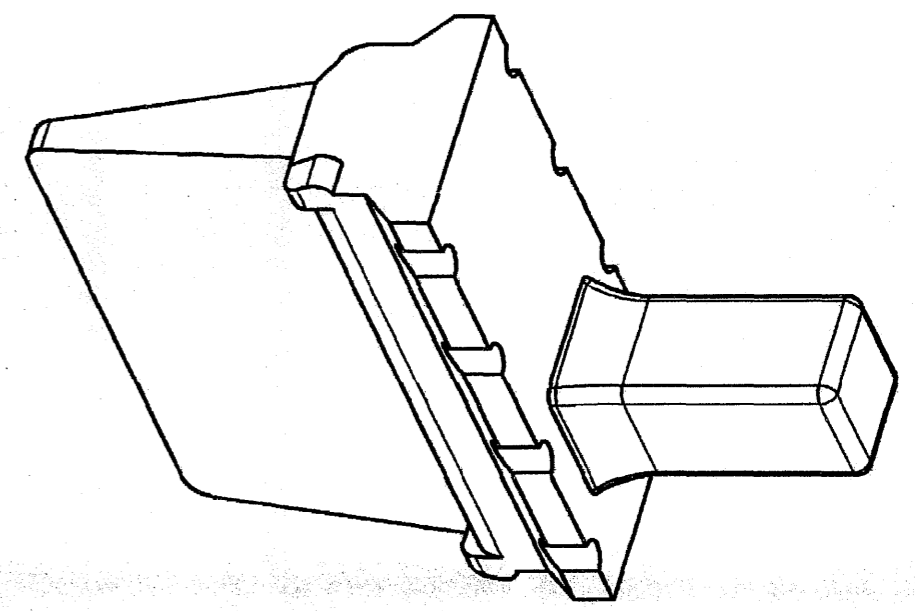
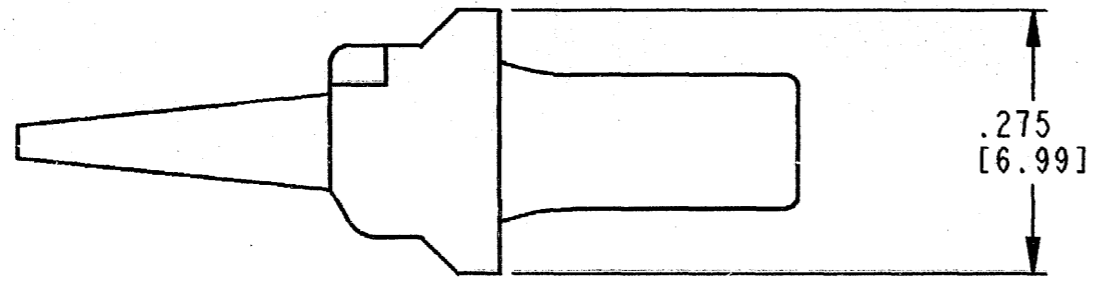
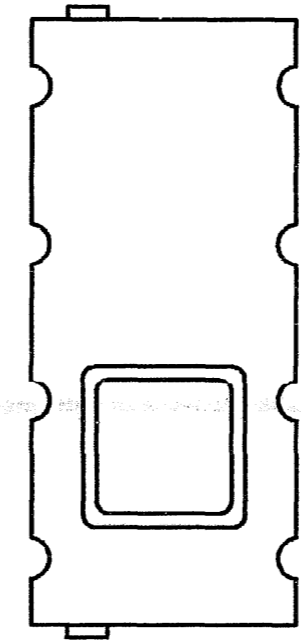
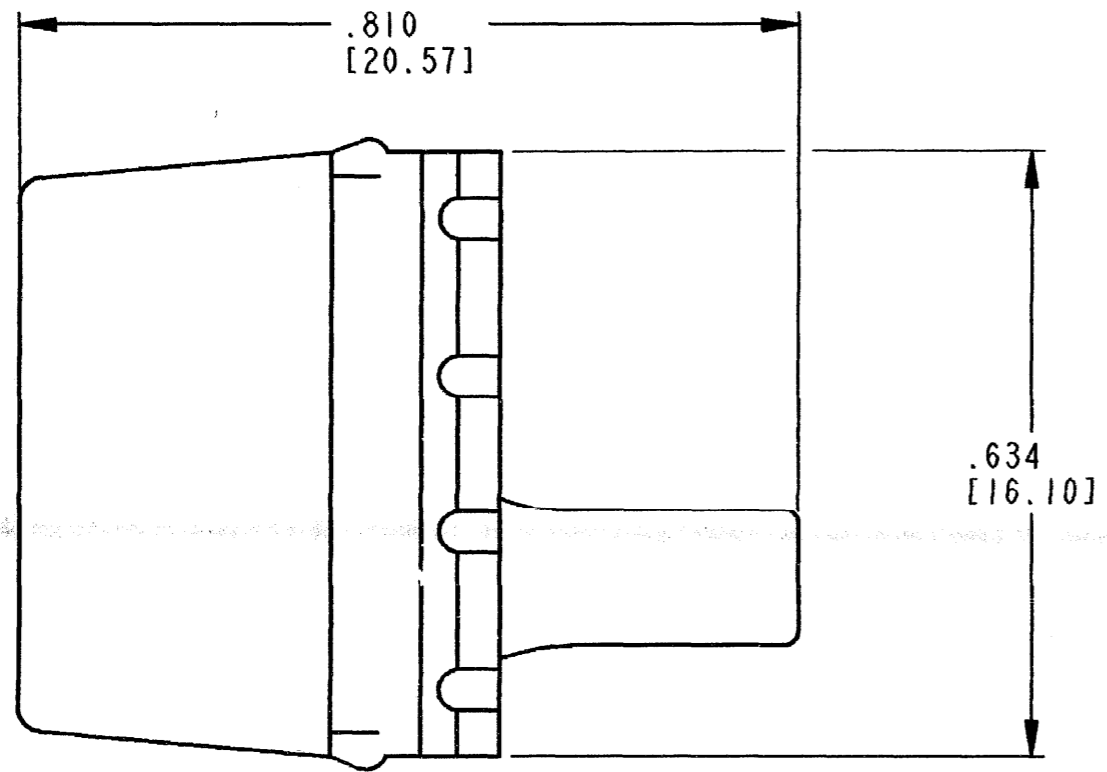


REV  
A  
**WM - 8P**

REVISIONS			
SYM	DESCRIPTION	DATE	APPROVED
NC	NEW RELEASE PER E.O. A14914	10-27-95	R.D.R.
A	REDRAWN & REVISED PER E.O. P19530	5-29-07	<i>RDR</i>



- 4. MATERIAL: PLASTIC; COLOR: ORANGE.
- 3. THIS WEDGE LOCK MATES WITH DTM04-08P\*-\*\*\*\* RECEPTACLE.  
(\* = A,B,C,D KEYS; \*\*\*\* = ALL MODIFICATIONS).  
CONSULT FACTORY FOR MODS.
- 2. DIMENSION TOLERANCE:  $\pm .025$  [ .64 ].
- 1. DIMENSIONS ARE IN INCHES [mm].

NOTES: UNLESS OTHERWISE SPECIFIED

SIGNATURE & DATE	
DR	<i>J. Apostol</i> 25 APR 2007
CHK	<i>[Signature]</i> 5/1/07
PE	<i>D. Meyer</i> 4/25/07
APPD	<i>P. Reed</i> 5-29-07
SCALE	5:1 WT

WEDGE LOCK FOR  
8 PIN RECPT.  
HOUSING  
DTM SERIES

ENVELOPE

EP	MATL. CODE
<b>The Deutch Company</b> DEUTSCH I.P.D. 3850 INDUSTRIAL AVE. HEMET, CALIF. 92545	
<b>B</b>	<b>WM - 8P</b>
DWG SIZE	CODE 11139 SHEET   OF