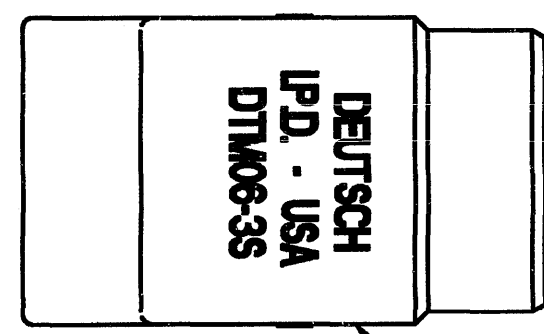
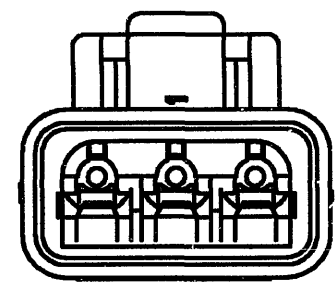
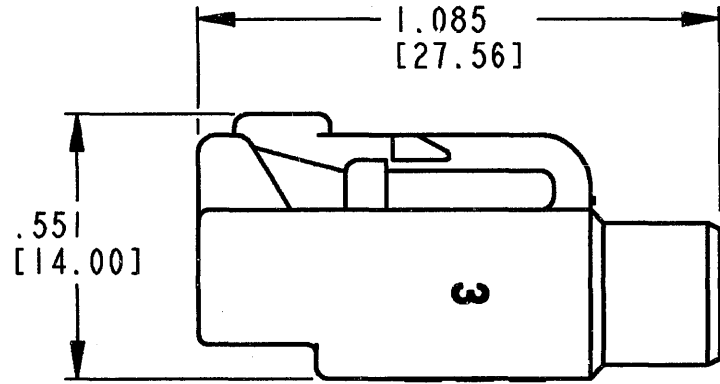
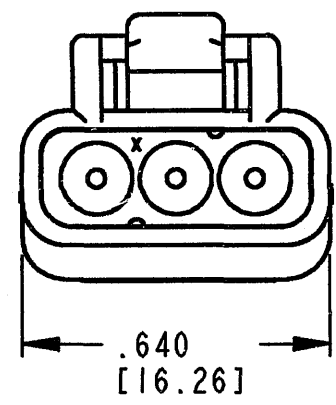
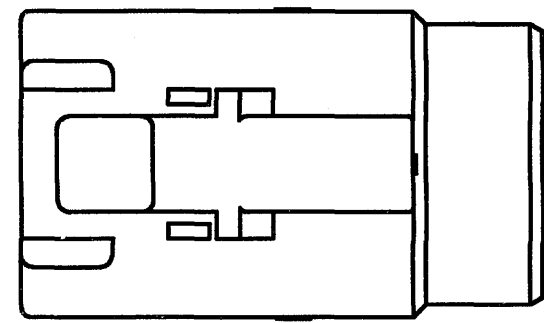
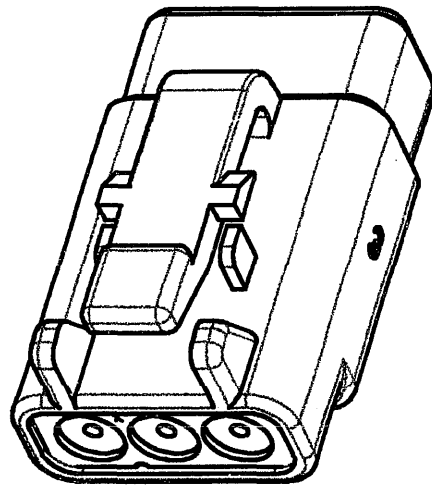


REV  
A

DTM06-3S

REVISIONS

| SYM | DESCRIPTION                       | DATE    | APPROVED |
|-----|-----------------------------------|---------|----------|
| NC  | NEW RELEASE PER E.O. A14874       | 7-21-95 | RDR      |
| A   | REDRAWN & REVISED PER E.O. P17172 | 3-6-01  | RDR      |
|     |                                   |         |          |
|     |                                   |         |          |



PLUG HOUSING

| CONTACT SIZE | MIN. INSUL. O.D. | MAX. INSUL. O.D. | WIRE RANGE [mm <sup>2</sup> ] REF ONLY <sup>4</sup> |
|--------------|------------------|------------------|---|
| 20           | .053 [1.35]      | .120 [3.05]      | 16-20 AWG [1.0-0.5]                                 |

- 6. MATERIAL - HOUSING: PLASTIC; GROMMET: RUBBER.
- 5. THIS PLUG MATES WITH DTM04-3P-\*\*\*\* RECEPTACLE. (\*\*\*\* = ALL MODIFICATIONS)
- <sup>4</sup> FOR CONTACT AND WIRE PERFORMANCE AND APPLICATION CHARACTERISTICS SEE ENVELOPE DRAWING 0425-015-0000.
- 3. SECONDARY WEDGE LOCK SOLD SEPARATELY: WM-3S.
- 2. DIMENSION TOLERANCE: ±.025 [.64].
- 1. DIMENSIONS ARE IN INCHES [mm].

NOTES: UNLESS OTHERWISE SPECIFIED

| SIGNATURE & DATE |                      |
|------------------|----------------------|
| DR               | J. APOSTOL 05MAR2001 |
| CHK              | L. Palluta 3/6/01    |
| PE               | D. Meyer 3/6/01      |
|                  |                      |
| APPD             | R. Reed 3-6-01       |
| SCALE            | NONE WT _____        |

PLUG  
3 SKT. CONT. #20  
DTM SERIES

ENVELOPE

|   |                       |
|---|-----------------------|
| CP  | MATL. CODE            |
| <b>The Deutsch Company</b><br>DEUTSCH I.P.D.<br>3850 INDUSTRIAL AVE.<br>HEMET, CALIF. 92545 |                       |
| <b>B</b>  | <b>DTM06-3S</b>       |
| DWG SIZE  | CODE 11139 SHEET   OF |