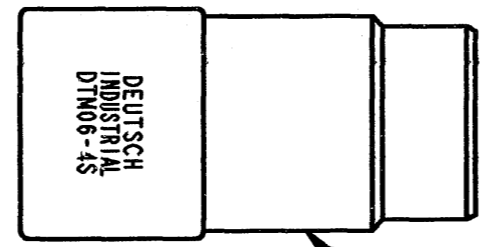
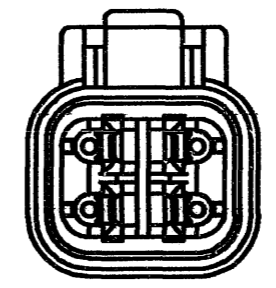
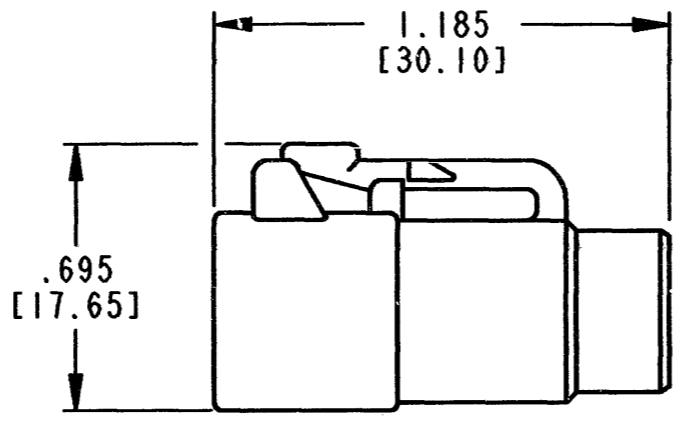
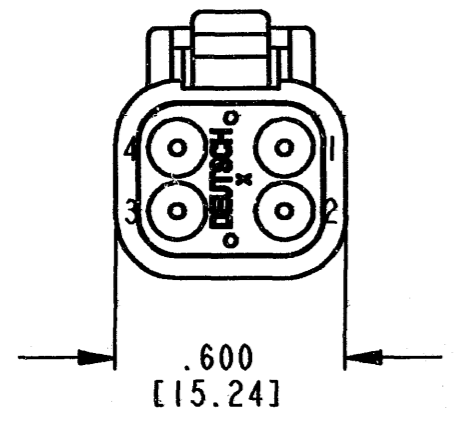
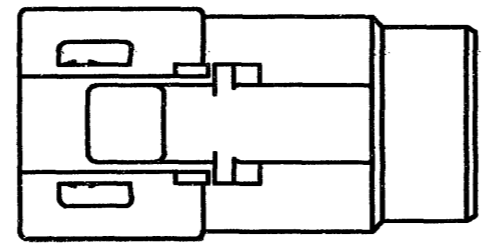
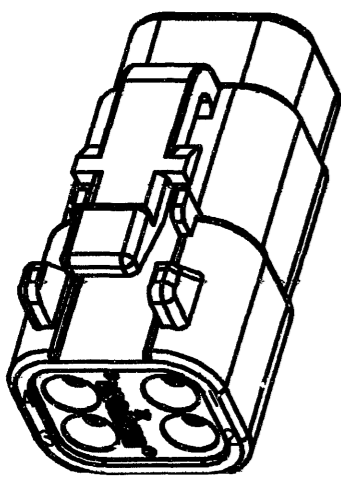


REV
A DTM06-4S

REVISIONS			
SYM	DESCRIPTION	DATE	APPROVED
NC	NEW RELEASE PER E.O. A14874	7/21/95	R.D.R.
A	REVISED & REDRAWN PER E.O. P20071	11-14-08	RDR



PLUG HOUSING

CONTACT SIZE	MIN. INSUL. O.D.	MAX. INSUL. O.D.	WIRE RANGE [mm ²] REF ONLY ⁴
20	.053 [1.35]	.120 [3.05]	16-22 AWG [1.5-0.5]


- 6. MATERIAL - HOUSING: PLASTIC; GROMMET: RUBBER.
- 5. THIS PLUG MATES WITH DTM04-4P-**** RECEPTACLE. (**** = ALL MODIFICATIONS)
- ⁴ FOR CONTACT AND WIRE PERFORMANCE AND APPLICATION CHARACTERISTICS SEE ENVELOPE DRAWING 0425-015-0000.
- 3. SECONDARY WEDGE LOCK SOLD SEPARATELY: WM-4S.
- 2. DIMENSIONS TOLERANCE: ±.025 [.64].
- 1. DIMENSIONS ARE IN INCHES [mm].

NOTES: UNLESS OTHERWISE SPECIFIED

SIGNATURE & DATE	
DR	R. MCCORD 11/13/08
CHK	B. Byrd 11/14/08
PE	D. Meyer 11/14/08
APPD	R. Poed 11-14-08
SCALE	NONE WT

PLUG
4 SKT. CONT. #20
COLOR: GREY
DTM SERIES

ENVELOPE

EP	MATL. CODE
 3850 INDUSTRIAL AVE. HEMET, CA 92545	
DEUTSCH INDUSTRIAL	
B	DTM06-4S
DWG SIZE	CODE 11139 SHEET OF