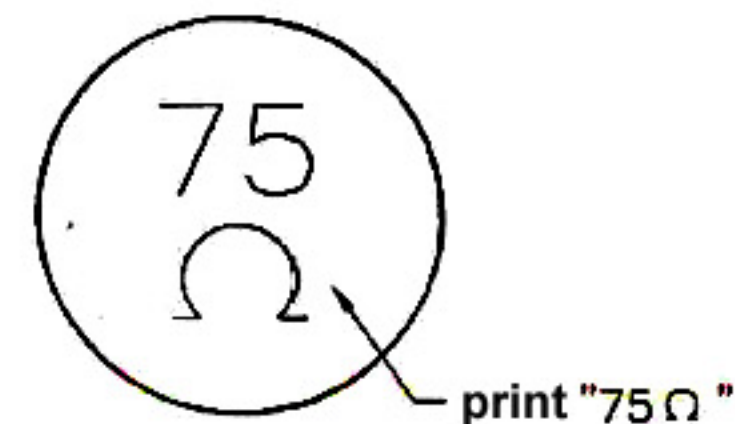
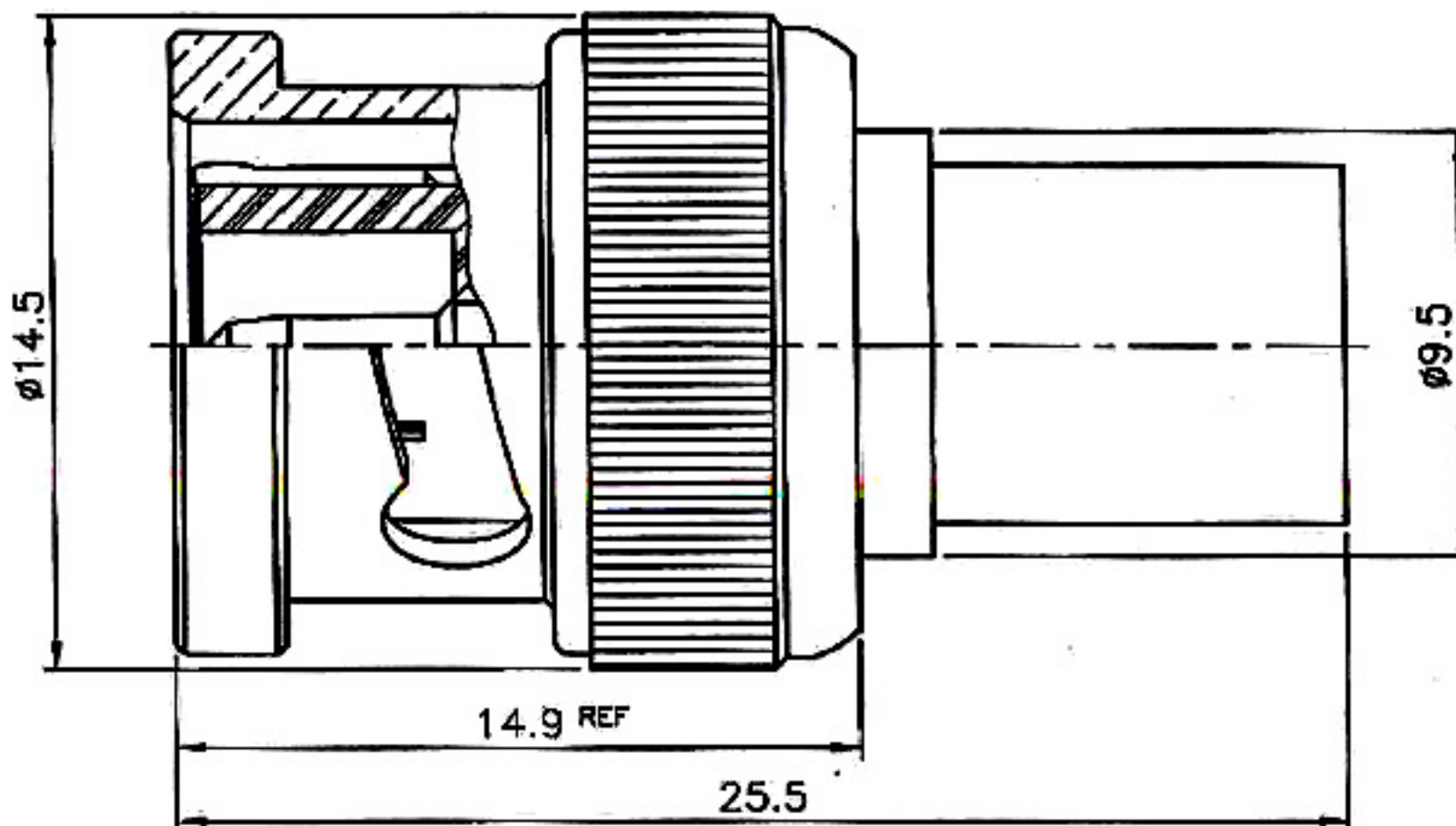


REVISIONS

ISS	SYMBOL	DESCRIPTION\DATE

FOR CUSTOMER

REMARK: RoHS COMPLIANT



NOTES: FINISH (PLATING THICKNESS IN MICRO-INCHES)

1. BRASS PER QQ-B-626
2. NICKEL PL 70 MIN THICK OVER COPPER STRIKE
3. GOLD PL FLUSH OVER NICKEL PL 70 MIN THICK OVER COPPER STRIKE
4. TEFLON MIL-P-19468

NO.	DESCRIPTION	MATERIAL	FINISH	QTY	DRAWING NO.
	SHELL	NOTE 1	NOTE 2		
	GASKET	SILICONE	RED		
	C RING	SS41	NOTE 2		
	SPRING	SK5	NOTE 2		
	WASHER	SS41	NOTE 2		
	RESISTOR	75 ohms ±1% ,1/4W			
	CONTACT PIN	NOTE 1	NOTE 3		
	INSULATOR	NOTE 4	WHITE		
	BODY	NOTE 1	NOTE 2		

DIMENSIONS ARE IN MILLIMETERS
UNLESS OTHERWISE SPECIFIED
TOLERANCES
(一般公差)
0.5~6 = ±0.2
>6~30 = ±0.4
>30~120 = ±0.6
>120~315 = ±1
>315~1000 = ±1.6
ANGLES(角度) = ±5'

PART NO.	
APPROVED	DATE
<i>[Signature]</i>	06/11/09
CHECKED	DATE
<i>[Signature]</i>	06/11/09
DRAWN	DATE
<i>[Signature]</i>	06/11/09

Best No, 734942	
TITLE	BNC TERMINATOR PLUG (75 ohms ±1% ,1/4 W)
DRAWING NO.	7010US700BF004B
FILE NO.	

SCALE 4/1 ISSUE A1