



## Product information GSP 311 PG11 schwarz/black

Industrial Connecting Solutions:Rectangular Connectors:Valve Connectors (Type A -B -C):Type A:Appliance Connectors (DIN EN 175 301-803):GSP 311 PG11 schwarz/black

<http://www.e-catalog.beldensolutions.com/link/57078-24228-256261-256266-256270-276255-35187/en/conf/ui/state>

Name GSP 311 PG11 schwarz/black



appliance connector with thread, appliance connector, threaded sleeve, grip ring, o-ring (NBR)

### Delivery informations

Availability available

### Product description

Description appliance connector with thread, appliance connector, threaded sleeve, grip ring, o-ring (NBR)

Type GSP 311 PG11 schwarz/black

Order No. 931 297-001

Number of contacts 3 + PE

Cable gland PG 11

Standard DIN EN 175 301-803-A

Housing Color black

Construction type A

### Technical data

Rated voltage AC/DC 400 V

Rated current 16 A

Contact resistance  $\leq 4 \text{ m}\Omega$

Type of termination solder

Mounting screw

### Material

Contact surface material Sn

Contact bearer material PA

Housing material PA

### Environmental conditions

Protection class (IEC 60529) IP 65 (gasket necessary) (mated)

Pollution severity 3

Temperature range -40 °C to +125 °C

### Inflammability class

Contact bearer 94 HB

### Approvals

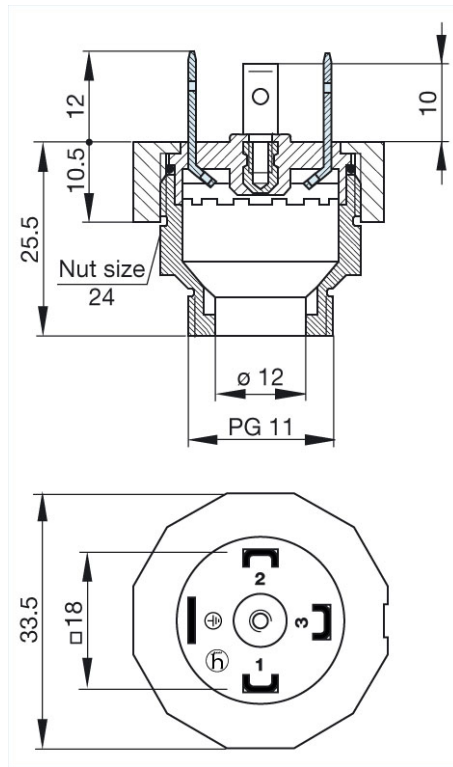
VDE VDE

SEV SEV

### Packing unit

Packaging unit 200 pieces

Picture  
Drawing



**Belden Deutschland GmbH**  
 Im Gewerbepark 2  
 58579 Schalksmühle  
 Germany  
 Phone: +49 7127/14-1806  
 E-Mail: [icos-sales@belden.com](mailto:icos-sales@belden.com)

The information published in the websites has been compiled as carefully as possible. It is subject to alteration without notice in technical as well as in price-related/commercial respect. The complete information and data were available on user documentation. Mandatory information can only be obtained by a concrete query.