




Product information ELST 3308 RV KH

Industrial Connecting Solutions:Archive - Industrial Connectors:Circular connectors E-series M8 (Archive):with snap or screw locking:Appliance connector press-in fit/sensor tube:ELST 3308 RV KH

<http://www.e-catalog.beldensolutions.com/link/57078-24228-62529-24238-24251-24253-37119/en/conf/uistate>

Name	ELST 3308 RV KH
	
	Appliance connector for M8 sensors, snap or screw locking, press-in tube mounting, metalcasing, short model
Delivery informations	
Availability	no longer available
Product description	
Description	Appliance connector for M8 sensors, snap or screw locking, press-in tube mounting, metalcasing, short model
Type	ELST 3308 RV KH
Order No.	933 392-001
Type of contact	male
Number of contacts	3
Standard	IEC 61076-2-101 (Ed. 1)/ IEC 60947-5-2
Housing Color	metallic
Technical data	
Pin dimensions	1 mm
Rated voltage	AC/DC 60 V
Rated current	3 A
Type of termination	solder, hollow pins
Suitable cables	max. 0.25 mm ²
Material	
Contact material	Cu Zn
Contact surface material	Au
Contact bearer material	PA transparent
Housing material	Cu ZN/Ni
Environmental conditions	
Protection class (IEC 60529)	IP 67
Pollution severity	3
Temperature range	-25 °C to +90 °C
Inflammability class	
Contact bearer	94 V-2
Approvals	
UL	UL
Packing unit	
Packaging unit	100 pieces



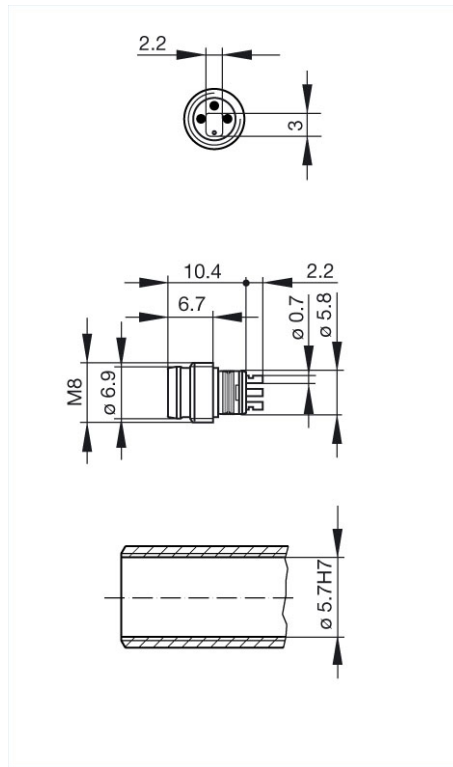
HIRSCHMANN

A Belden Brand

Industrial Connecting Solutions:Archive - Industrial Connectors:Circular connectors E-series M8 (Archive);with snap or screw locking:Appliance connector press-in fit/sensor tube:ELST 3308 RV KH
<http://www.e-catalog.beldensolutions.com/link/57078-24228-62529-24238-24251-24253-37119/en/conf/ui/state>

Picture

Drawing



Belden Deutschland GmbH
Im Gewerbepark 2
58579 Schalksmühle
Germany
Phone: +49 7127/14-1806
E-Mail: icos-sales@belden.com

The information published in the websites has been compiled as carefully as possible. It is subject to alteration without notice in technical as well as in price-related/commercial respect. The complete information and data were available on user documentation. Mandatory information can only be obtained by a concrete query.