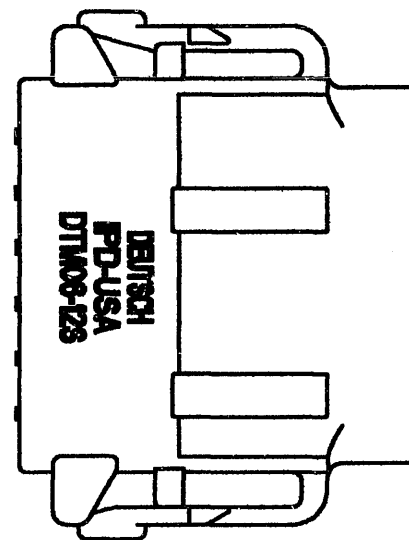
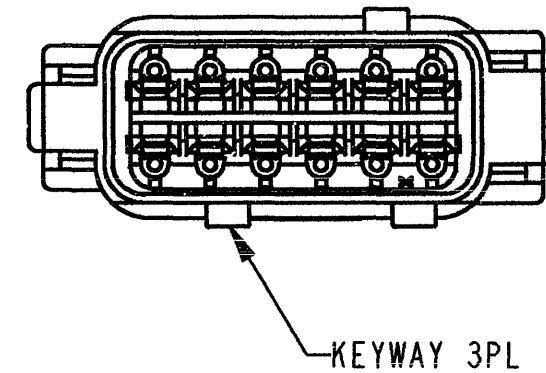
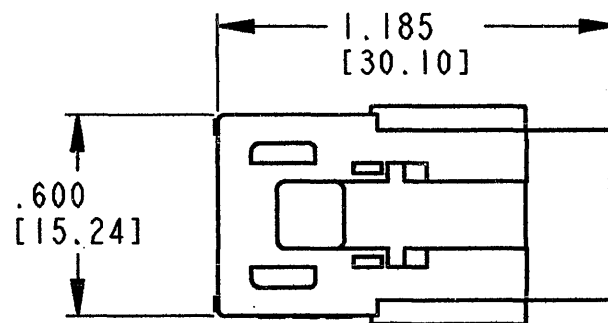
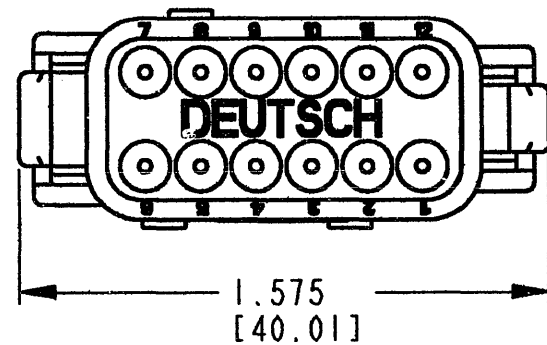
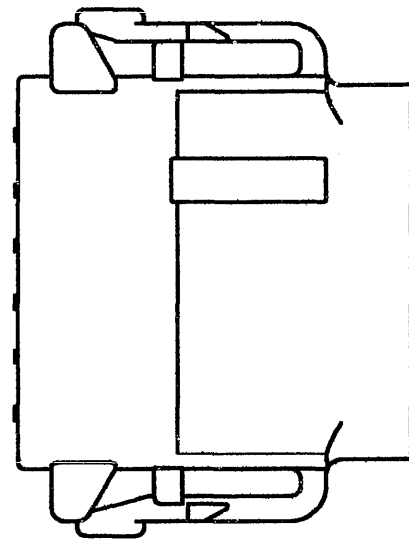




REV  
NC **DTM06-12S\***

REVISIONS			
SYM	DESCRIPTION	DATE	APPROVED
NC	NEW RELEASE PER E.O. P17240	4-19-01	RDR



CONTACT SIZE	MIN. INSUL. O.D.	MAX. INSUL. O.D.	WIRE RANGE [mm <sup>2</sup> ] REF ONLY 
20	.053 [1.35]	.120 [3.05]	16-22 AWG [1.0-0.5]


7. SEE SHEET 2 FOR OTHER KEY ARRANGEMENTS.
6. MATERIAL - HOUSING: PLASTIC; GROMMET: RUBBER.
5. THIS PLUG MATES WITH DTM04-12P\*-\*\*\*\* RECEPTACLE. (\* = A,B,C,D KEYS; \*\*\*\* = ALL MODIFICATIONS)
-  FOR CONTACT AND WIRE PERFORMANCE AND APPLICATION CHARACTERISTICS SEE ENVELOPE DRAWING 0425-015-0000.
3. SECONDARY WEDGE LOCK SOLD SEPARATELY: WM-12S.
2. DIMENSION TOLERANCE: ±.025 [1.64].
1. DIMENSIONS ARE IN INCHES [mm].

NOTES: UNLESS OTHERWISE SPECIFIED

SIGNATURE & DATE	
DR	J. APOSTOL 17APR2001
CHK	Rivally 4/18/01
PE	D. Meyer 4/17/01
APPD	R. Reed 4-19-01
SCALE	NONE WT _____

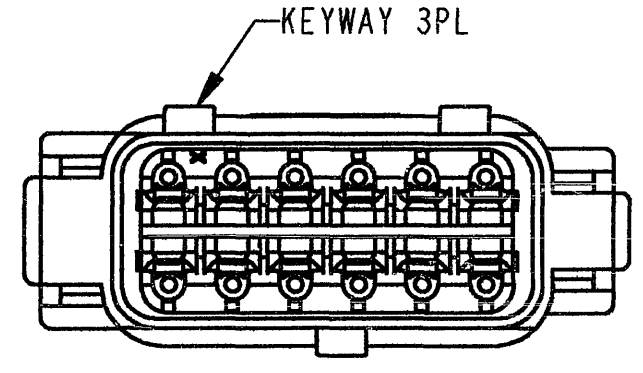
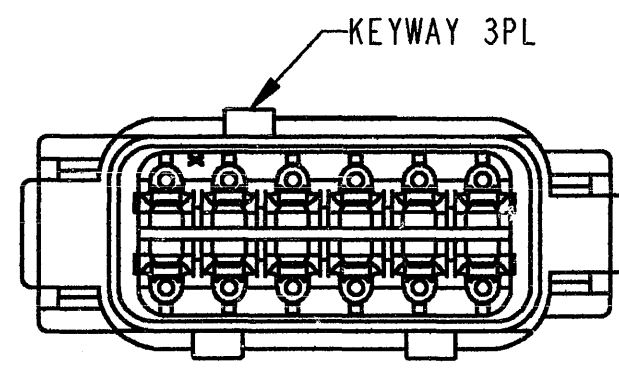
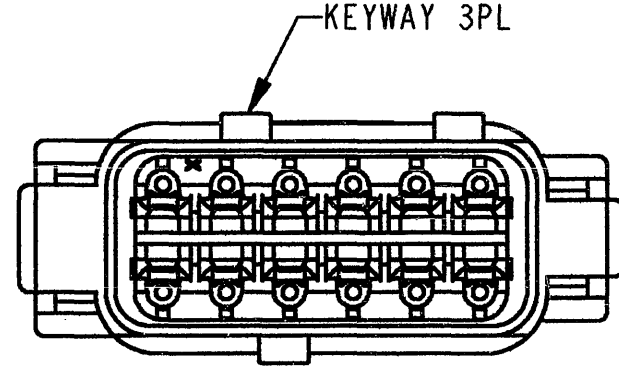
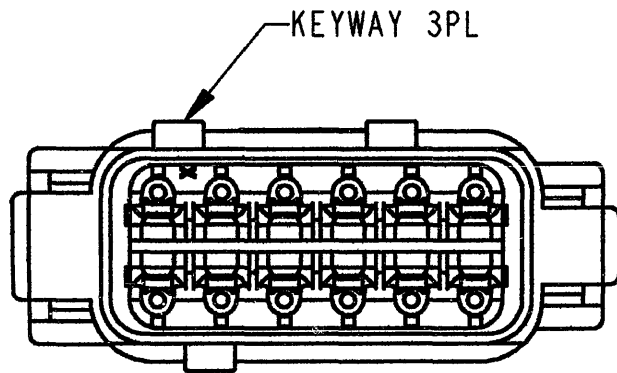
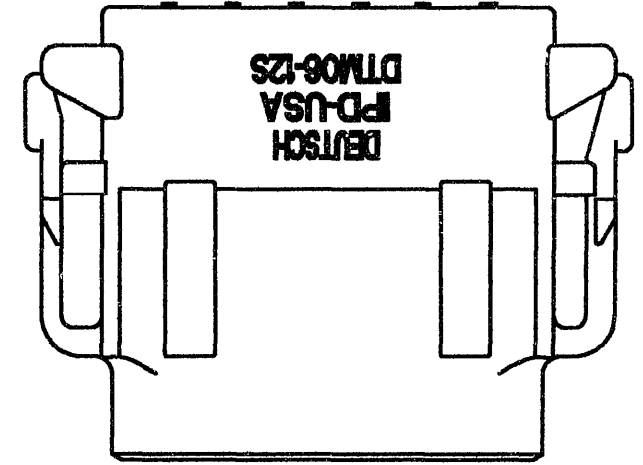
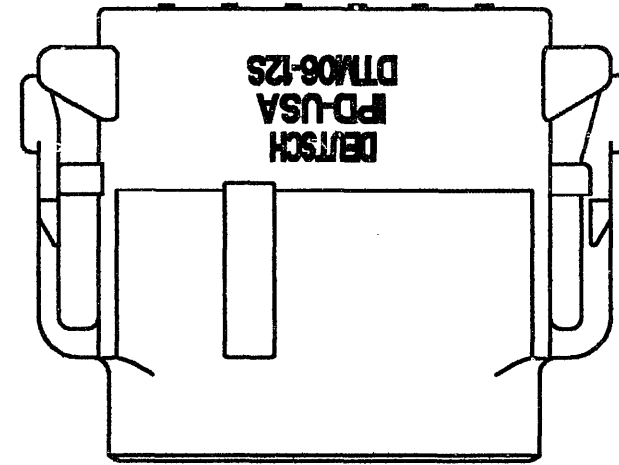
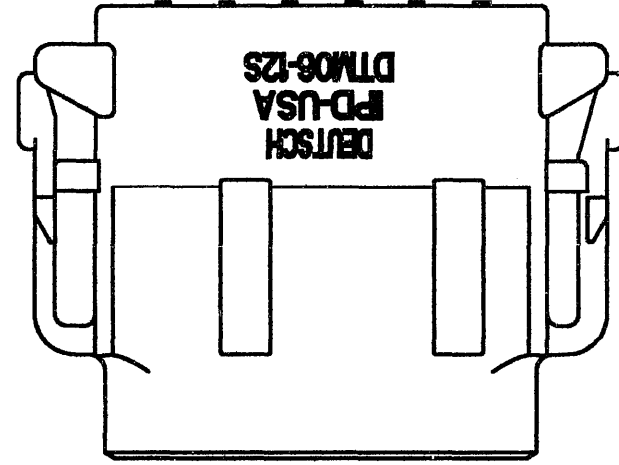
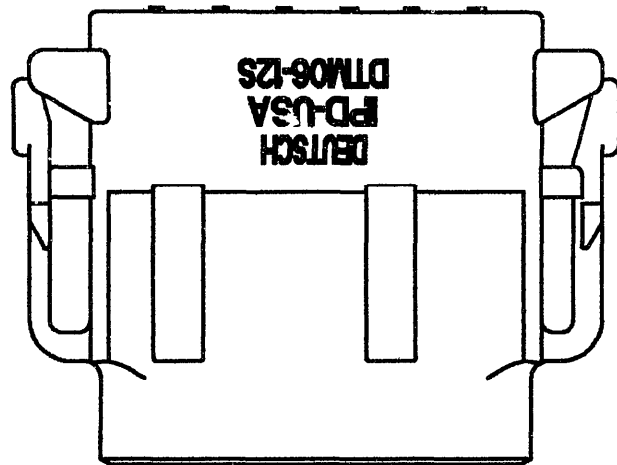
PLUG  
12 CONTACTS, SIZE 20  
A, B, C, D KEYS  
DTM SERIES

ENVELOPE

CP	MATL. CODE
<b>The Deutsch Company</b>  DEUTSCH I.P.D. 3850 INDUSTRIAL AVE. HEMET, CALIF. 92545	
<b>B</b>	<b>DTM06-12S*</b>
DWG SIZE	CODE 11139 SHEET 1 OF 2

REV  
NC DTM06-12S\*

REVISIONS			
SYM	DESCRIPTION	DATE	APPROVED
	SEE SHEET ONE	4-19-01	RDR



**DTM06-12SA**  
KEY -A-  
COLOR: GREY

**DTM06-12SB**  
KEY -B-  
COLOR: BLACK

**DTM06-12SC**  
KEY -C-  
COLOR: GREEN


**DTM06-12SD**  
KEY -D-  
COLOR: BROWN

NOTES:

SIGNATURE & DATE	
DR	J. APOSTOL 17APR2001
CHK	Rmly 4/18/01
PE	D Meyer 4/17/01
APPD	
SCALE	NONE WT _____

PLUG  
12 CONTACTS, SIZE 20  
A, B, C, D KEYS  
DTM SERIES

ENVELOPE

CP	MATL. CODE
<b>The Deutsch Company</b>  DEUTSCH I.P.D. 3850 INDUSTRIAL AVE. HEMET, CALIF. 92545	
<b>B</b>	<b>DTM06-12S*</b>
DWG SIZE	CODE 11139 SHEET 2 OF 2