




Product information RBC 162/1 Ag

Industrial Connecting Solutions:Contacts, crimping systems, accessories:Contacts:RBC 162/1 Ag

<http://www.e-catalog.beldensolutions.com/link/57078-24228-24379-24380-37036/en/conf/ui/state>

| | |
|--|--|
| Name | RBC 162/1 Ag |
| |  |
| | rolled engaging crimp contact (socket),BO crimp |
| Delivery informations | |
| Availability | available |
| Product description | |
| Description | rolled engaging crimp contact (socket), BO crimp |
| Type | RBC 162/1 Ag |
| Order No. | 733 383-021 |
| Conductor size | 0.14 mm ² to 0.5 mm ² |
| Technical data | |
| Type of termination | crimping |
| Pin dimensions | 1.6 mm |
| Material | |
| Contact material | Cu Zn |
| Contact surface material | Ag |
| Packing unit | |
| Packaging unit | 100 pieces |
| Scope of delivery and accessories | |
| Accessories to order separately | suitable for NR-series and ST-series (5 pole) connectors suitable crimping tool: crimping pliers XZC 0701 suitable ejection tool: XWA 164 |



HIRSCHMANN

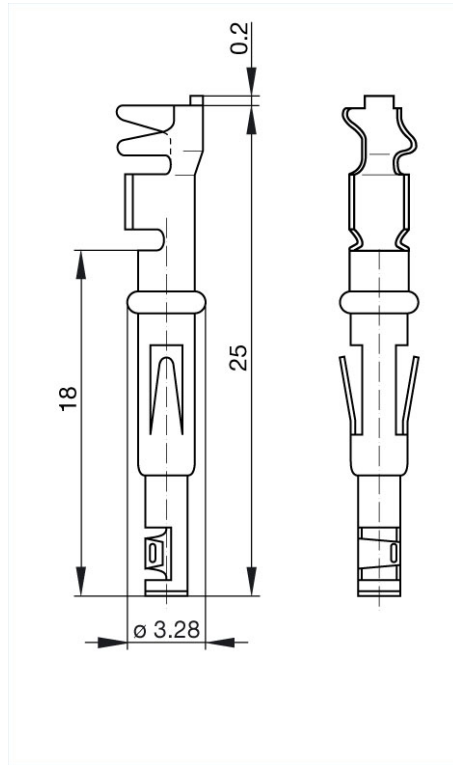
A BELDEN BRAND

Industrial Connecting Solutions:Contacts, crimping systems, accessories:Contacts:RBC 162/1 Ag

<http://www.e-catalog.beldensolutions.com/link/57078-24228-24379-24380-37036/en/conf/ui/state>

Picture

Drawing



Belden Deutschland GmbH

Im Gewerbepark 2

58579 Schalksmühle

Germany

Phone: +49 7127/14-1806

E-Mail: icos-sales@belden.com

The information published in the websites has been compiled as carefully as possible. It is subject to alteration without notice in technical as well as in price-related/commercial respect. The complete information and data were available on user documentation. Mandatory information can only be obtained by a concrete query.