




Product information RBC 162 Ag

Industrial Connecting Solutions:Contacts, crimping systems, accessories:Contacts:RBC 162 Ag

<http://www.e-catalog.beldensolutions.com/link/57078-24228-24379-24380-37035/en/conf/ui/state>

Name	RBC 162 Ag
	
	rolled engaging crimp contact (socket),BO crimp
Delivery informations	
Availability	available
Product description	
Description	rolled engaging crimp contact (socket), BO crimp
Type	RBC 162 Ag
Order No.	731 724-221
Conductor size	0.5 mm ² to 1.5 mm ²
Technical data	
Type of termination	crimping
Pin dimensions	1.6 mm
Material	
Contact material	Cu Zn
Contact surface material	Ag
Packing unit	
Packaging unit	100 pieces
Scope of delivery and accessories	
Accessories to order separately	suitable for NR-series and ST-series (5 pole) connectors suitable crimping tool: crimping pliers XZC 0701 suitable ejection tool: XWA 164



HIRSCHMANN

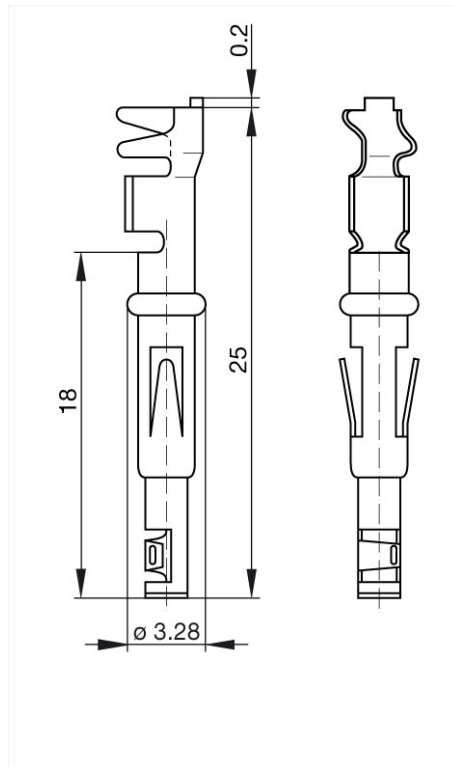
A BELDEN BRAND

Industrial Connecting Solutions:Contacts, crimping systems, accessories:Contacts:RBC 162 Ag

<http://www.e-catalog.beldensolutions.com/link/57078-24228-24379-24380-37035/en/conf/ui/state>

Picture

Drawing



Belden Deutschland GmbH

Im Gewerbepark 2

58579 Schalksmühle

Germany

Phone: +49 7127/14-1806

E-Mail: icos-sales@belden.com

The information published in the websites has been compiled as carefully as possible. It is subject to alteration without notice in technical as well as in price-related/commercial respect. The complete information and data were available on user documentation. Mandatory information can only be obtained by a concrete query.