




Product information ELST-M PG9

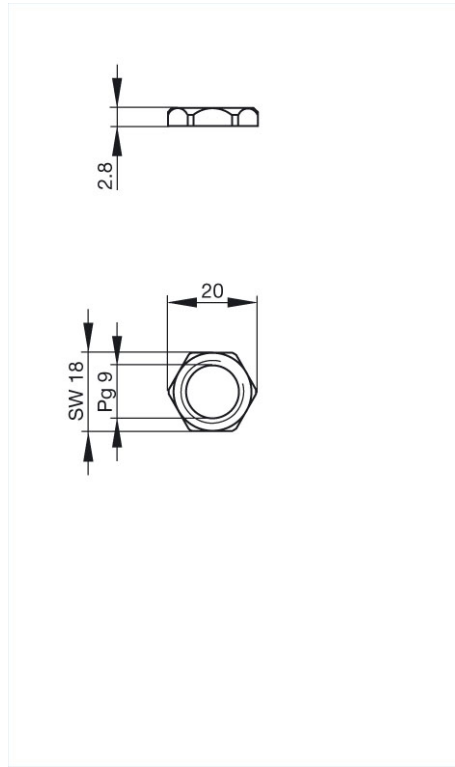
Industrial Connecting Solutions:Archive - Industrial Connectors:Circular Connectors E-series M12 / M12 push-pull (Archive):Accessories E-series M12:ELST-M PG9

<http://www.e-catalog.beldensolutions.com/link/57078-24228-62529-24256-24287-37478/en/conf/uistate>

Name	ELST-M PG9
	
	Fastening nut with PG9 thread
Delivery informations	
Availability	no longer available
Product description	
Description	Fastening nut with PG9 thread
Type	ELST-M PG9
Order No.	733 877-001
Housing Color	metallic
Material	
Material	Cu Zn/Ni
Packing unit	
Packaging unit	100 pieces
Scope of delivery and accessories	
Accessories to order separately	accessory for M12 appliance socket/connector

Picture

Drawing



Belden Deutschland GmbH
Im Gewerbepark 2
58579 Schalksmühle
Germany
Phone: +49 7127/14-1806
E-Mail: icos-sales@belden.com

The information published in the websites has been compiled as carefully as possible. It is subject to alteration without notice in technical as well as in price-related/commercial respect. The complete information and data were available on user documentation. Mandatory information can only be obtained by a concrete query.